



# PHOTOELECTRIC SLOT SENSORS FOR LABEL DETECTION



# POWERFUL, EASY-TO-CONFIGURE LABEL DETECTION SENSOR

Introducing an easy-to-use photoelectric sensor from Pepperl+Fuchs specifically designed to detect adhesive labels on a roll. With an advanced one-step setup, programming is fast and simple with a single press of a button. It features a compact and robust one-piece slot housing that is chemical resistant, waterproof, and operational down to -40 °F. Add to that fast response, ambient light immunity, available remote teach, and it's easy to see it's more than just a label detector.

## CAPABILITIES

- One-touch pushbutton programming
- Fast response time
- NPN and PNP output
- Remote teach model

## APPLICATION POSSIBILITIES

- Label detection
- End of roll detection
- Web break detection
- Double sheet detection
- Splice detection
- Label counting
- Edge guiding



## SPECIFICATIONS

SENSING RANGE	0-3 mm	0-3 mm	0-3 mm
<b>Sensitivity adjustment</b>	Yes, pushbutton	Yes, pushbutton	Yes, pushbutton
<b>Remote teach</b>	No	No	Yes
<b>Model number</b>	GLD3-RT/115/147	GLD3-RT/95/147	GLD3-RT/115b/123/147
<b>Output</b>	/147 1 NPN and 1 PNP	1 NPN and 1 PNP	1 NPN and 1 PNP
<i>Load current</i>	150 mA max.	150 mA max.	150 mA max.
<i>Voltage drop</i>	≤ 1.5V	≤ 1.5V	≤ 1.5V
<i>Short circuit and overload protection</i>	Yes	Yes	Yes
<i>Reverse polarity protection</i>	Yes	Yes	Yes
<b>Supply voltage</b>	10-30VDC	10-30VDC	10-30VDC
<b>Voltage ripple</b>	10%	10%	10%
<b>Led(s)</b>	Yes (2)	Yes (2)	Yes (2)
<b>Current consumption</b>	≤ 45 mA	≤ 45 mA	≤ 45 mA
<b>Operating mode</b>	Light on/dark on	Light on/dark on	Light on/dark on
<b>Response time</b>	≤ 100 μs	≤ 100 μs	≤ 100 μs
<b>Switching frequency</b>	5 kHz	5 kHz	5 kHz
<b>Standards</b>	EN 60947-5-2	EN 60947-5-2	EN 60947-5-2
<b>Protection (IEC)</b>	IP66	IP66	IP66
<b>Light source</b>	Visible red LED	Visible red LED	Visible red LED
<b>Temperature range</b>	<i>Working</i>	-40 °F to +158 °F	-40 °F to +158 °F
	<i>Storage</i>	-40 °F to +158 °F	-40 °F to +158 °F
<b>Housing material</b>	<i>Housing</i>	Thermoplastic PPS	Thermoplastic PPS
	<i>Lens</i>	Zylex	Zylex
<b>Weight</b>	2.9 oz	1.9 oz	2.2 oz
<b>Approvals</b>			
<b>Electrical connection</b>	2-meter cable	Quick disconnect type V31	150 mm pigtail, quick disconnect type V15

## WIRING DIAGRAMS

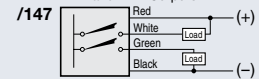
DC



### Cable Connection

#### Light On/Dark On

NPN and PNP Outputs



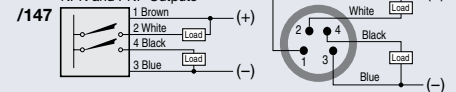
### Quick Disconnect

Note: Wiring diagrams show quick disconnect pin numbers.

#### V31 Type

#### Light On/Dark On

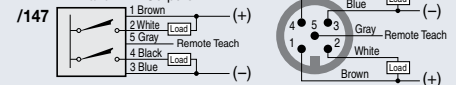
NPN and PNP Outputs



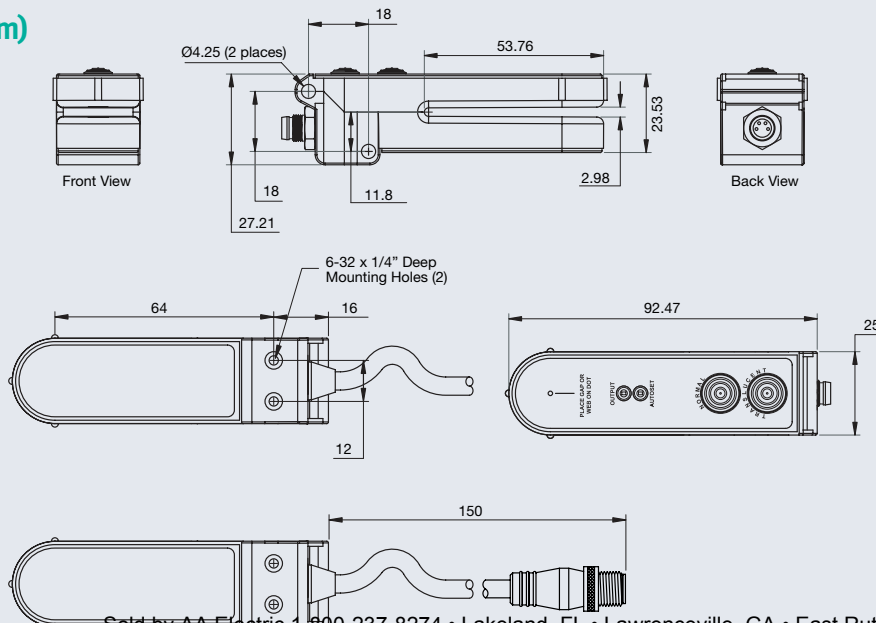
#### V15 Type

#### Light On/Dark On

NPN and PNP Outputs



## DIMENSIONS (mm)



Sold by AA Electric 1-800-237-8274 • Lakeland, FL • Lawrenceville, GA • East Rutherford, NJ

Web : www.A-Aelectric.com Email: njsales@a-aelectric.com

# FACTORY AUTOMATION – SENSING YOUR NEEDS



Pepperl+Fuchs sets the standard in quality and innovative technology for the world of automation. Our expertise, dedication, and heritage of innovation have driven us to develop the largest and most versatile line of industrial sensor technologies and interface components in the world. With our global presence, reliable service, and flexible production facilities, Pepperl+Fuchs delivers complete solutions for your automation requirements—wherever you need us.



 **PEPPERL+FUCHS**  
*SENSING YOUR NEEDS*

Subject to modifications • © 2008 PEPPERL+FUCHS, INC. • Printed in USA • Part No. 912277 12/08 00

Sold by AA Electric 1-800-237-8274 • Lakeland, FL • Lawrenceville, GA • East Rutherford, NJ  
Web : [www.A-Aelectric.com](http://www.A-Aelectric.com) Email: [njsales@a-aelectric.com](mailto:njsales@a-aelectric.com)