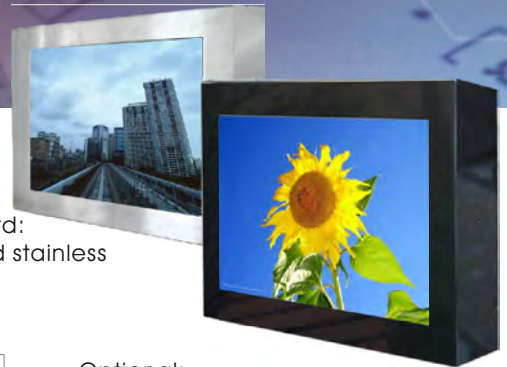


FALCON SERIES

Full IP65 Chassis



Standard:
brushed stainless

15" (Stainless Design)

Specifications

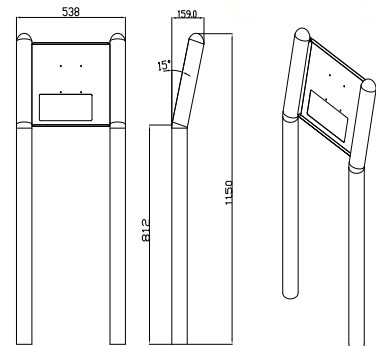
Falcon-15FIP65-3C56-006L51R

Viewable Size Image	15"
Active Display Area(mm)	304.128 (H) x 228.096 (V)
Pixel Pitch(mm)	0.297(H)x0.297(V)
Number of Pixels	1024x768
Contrast Ratio	500:1 (typ.)
Display Color	16.2M(6bit+FRC)
Brightness(cd/m ²)	250(typ.)
Viewing Angle(CR>=10)	-70~70(H);-60~60(V)(typ.)
Synchronization Range	
Horizontal/Vertical	31.5~60.0KHz/60~75Hz
Recommended Resolution	1024x768 @ 60Hz, 75Hz
Signal Connector	15 pin D-Sub
I/O	3 pin Power cable(IP65 connector); 10 pin VGA cable (IP65 connector); Optional 10 pin RS232 or USB cable(IP65 connector)
Power Source	DC12V
Power Consumption	25W typical, normal operation
Power Management	VESA DPMS Compliant
Plug & Play	VESA DDC 1/2B
Optional Touch Screen	Resistive,Capacitive
Optional video	Yes
Mounting Stand	Opitonal

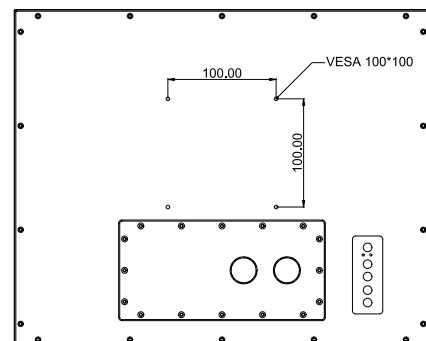
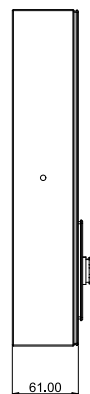
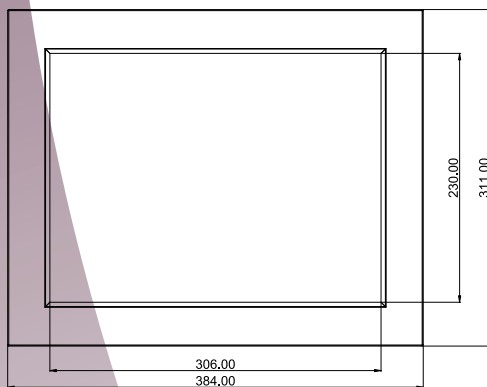
Optional:
black, high polish, vanished coating



Mounting Stand
(optional)



Mechanical Drawing



UNIT:mm

* Note: this is a simplified drawing and some components are not marked in detail.
Please contact our sales representative if you need further product information.

FALCON SERIES

Full IP65 Chassis



Standard:
brushed stainless

Optional:
black, high polish, vanished coating

19" (Stainless Design)

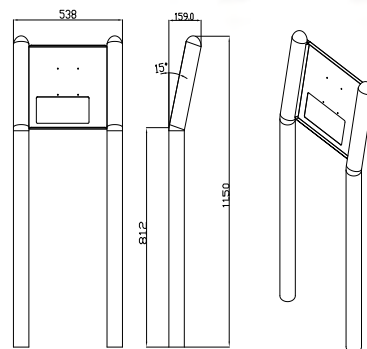
Specifications

Falcon-19FIP65-1M56-003L91R

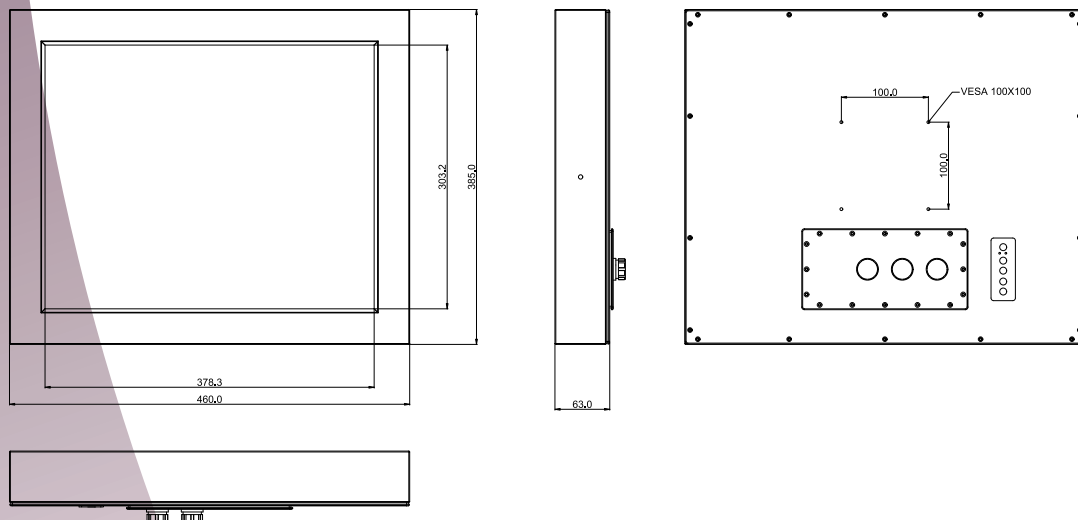
Viewable Size Image	19"
Active Display Area(mm)	376.32 (H) x 301.06 (V)
Pixel Pitch(mm)	0.294 (H) x 0.294 (V)
Number of Pixels	1280x1024
Contrast Ratio	800:1(typ.)
Display Color	16.7M(8bit+FRC)
Brightness(cd/m ²)	300(typ.)
Viewing Angle(CR>=10)	-80~80(H);-80~80(V)(typ.)
Synchronization Range	
Horizontal/Vertical	31.5~80.0KHz / 60~75Hz
Recommended Resolution	1280x1024@60HZ,75HZ
Signal Connector	15 pin D-Sub
I/O	3 pin Power cable(IP65 connector); 10 pin VGA cable (IP65 connector); Optional 10 pin RS232 or USB cable(IP65 connector)
Power Source	DC 12V
Power Consumption	41W typical, normal operation
Power Management	VESA DPMS Compliant
Plug & Play	VESA DDC 1/2B
Optional Touch Screen	Resistive,Capacitive
Optional video	Yes
Mounting Stand	Optional



Mounting Stand
(optional)



Mechanical Drawing



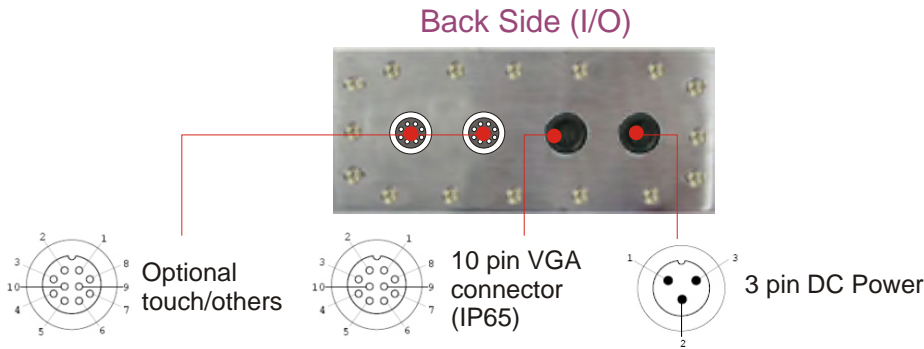
* Note: this is a simplified drawing and some components are not marked in detail. Please contact our sales representative if you need further product information.



Full IP65 Chassis LCD



IO Layout

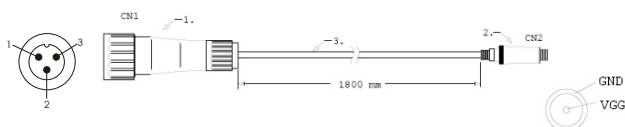


Cable List

LCD	IP65 connector	PC side IO type
DC power	3pin	Female(2.5 fai)
USB(optional)	10pin	Male(type A)
RS232(optional)	10pin	Female(D-sub 9)
VGA	10pin	Male(D-sub 15)

IP65 Cable/Pin Define

DC Power



Pin No.	Symbols	Color	Pin No.	Symbols	Color
CN1-1	VCC	Red	CN2	VCC	Red
CN1-3	GND	Black	CN1	GND	Black
CN1-2	Shield			Shield	

RS232



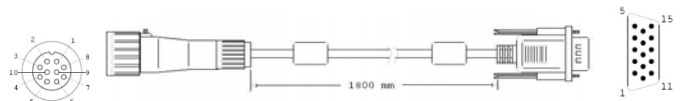
Pin No.	Symbols	Color	Pin No.	Symbols	Color
CN1-1	DCD-CON2	Green	CN2-1	DCD-CON2	Green
CN1-2	DSR-CON2	Brown	CN1-6	DSR-CON2	Brown
CN1-3	RXD-CON2	Red	CN1-2	RXD-CON2	Red
CN1-4	RTS-CON2	Orange	CN1-7	RTS-CON2	Orange
CN1-5	TXD-CON2	Blue	CN1-3	TXD-CON2	Blue
CN1-6	CTS-CON2	White	CN1-8	CTS-CON2	White
CN1-7	DTR-CON2	Purple	CN1-4	DTR-CON2	Purple
CN1-8	RI-CON2	Yellow	CN1-9	RI-CON2	Yellow
CN1-9	GND-CON2	Black	CN1-5	GND-CON2	Black
CN1-10	NC		CN1-10	NC	

USB



Pin No.	Symbols	Color	Pin No.	Symbols	Color
CN1-1	VCC	Red	CN2-1	VCC	Red
CN1-2	D-	White	CN2-2	D-	White
CN1-3	D+	Green	CN2-3	D+	Green
CN1-4	GND	Black	CN2-4	GND	Black
CN1-5	Shield				

VGA



Pin No.	Symbols	Color	Pin No.	Symbols	Color
1	R	Red	1	R	Red
2	R-GND	Black	6	R-GND	Black
3	G	Green	2	G	Green
4	G-GND	Black	7	G-GND	Black
5	B	Blue	3	B	Blue
6	B-GND	Black	8	B-GND	Black
7	SDA	Yellow	12	SDA	Yellow
8	HS	Orange	13	HS	Orange
9	VS	White	14	VS	White
10	SCL	Brown	15	SCL	Brown

FALCON SERIES Full IP65 Chassis



Standard:
brushed stainless

Optional:
black, high polish, vanished coating

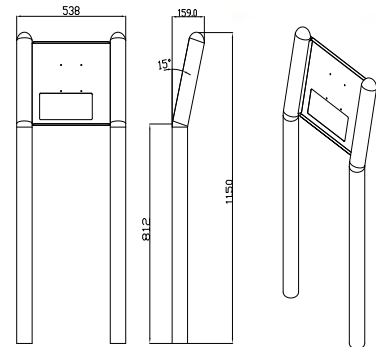
17" (Stainless Design)

Specifications

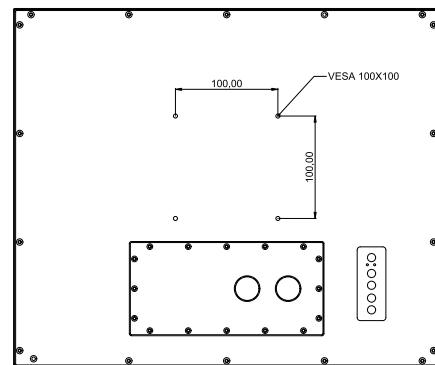
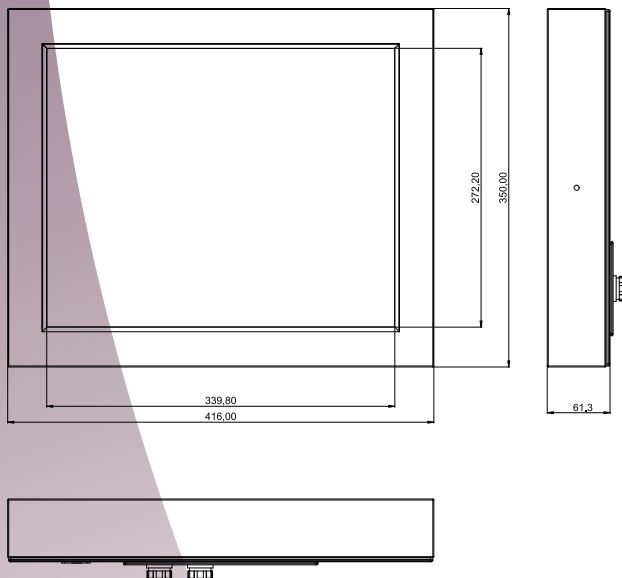
Viewable Size Image	17"
Active Display Area(mm)	337.92 (H) x 270.34 (V)
Pixel Pitch(mm)	0.264 (H) x 0.264 (V)
Number of Pixels	1080x1024
Contrast Ratio	800:1(typ.)
Display Color	16.7M(6bit+FRC)
Brightness(cd/m ²)	300(typ.)
Viewing Angle(CR>=10)	-80~80(H);-80~80(V)(typ.)
Synchronization Range	
Horizontal/Vertical	31.5~80.0KHz / 60~75Hz
Recommended Resolution	1280x1024@60HZ,75HZ
Signal Connector	15 pin D-Sub
I/O	3 pin Power cable(IP65 connector); 10 pin VGA cable (IP65 connector); Optional 10 pin RS232 or USB cable(IP65 connector)
Power Source	DC 12 V
Power Consumption	32W typical, normal operation
Power Management	VESA DPMS Compliant
Plug & Play	VESA DDC 1/2B
Optional Touch Screen	Resistive,Capacitive
Optional video	Yes
Mounting Stand	Optional

Model: Falcon-17FIP65-1M56-006L71R

Mounting Stand
(optional)



Mechanical Drawing



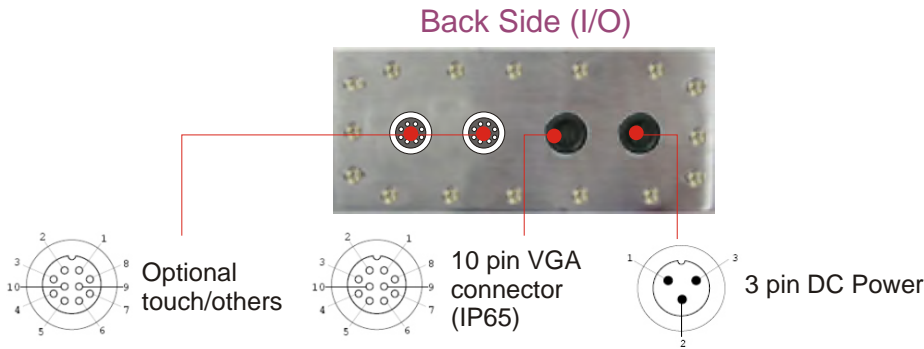
* Note: this is a simplified drawing and some components are not marked in detail.
Please contact our sales representative if you need further product information.



Full IP65 Chassis LCD



IO Layout

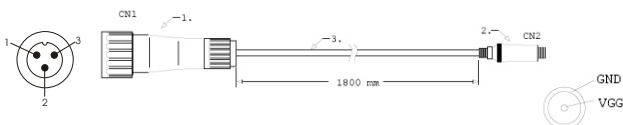


Cable List

LCD	IP65 connector	PC side IO type
DC power	3pin	Female(2.5 fai)
USB(optional)	10pin	Male(type A)
RS232(optional)	10pin	Female(D-sub 9)
VGA	10pin	Male(D-sub 15)

IP65 Cable/Pin Define

DC Power



Pin No.	Symbols	Color	Pin No.	Symbols	Color
CN1-1	VCC	Red	CN2	VCC	Red
CN1-3	GND	Black	CN1	GND	Black
CN1-2	Shield			Shield	

RS232



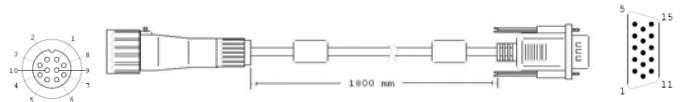
Pin No.	Symbols	Color	Pin No.	Symbols	Color
CN1-1	DCD-CON2	Green	CN2-1	DCD-CON2	Green
CN1-2	DSR-CON2	Brown	CN1-6	DSR-CON2	Brown
CN1-3	RXD-CON2	Red	CN1-2	RXD-CON2	Red
CN1-4	RTS-CON2	Orange	CN1-7	RTS-CON2	Orange
CN1-5	TXD-CON2	Blue	CN1-3	TXD-CON2	Blue
CN1-6	CTS-CON2	White	CN1-8	CTS-CON2	White
CN1-7	DTR-CON2	Purple	CN1-4	DTR-CON2	Purple
CN1-8	RI-CON2	Yellow	CN1-9	RI-CON2	Yellow
CN1-9	GND-CON2	Black	CN1-5	GND-CON2	Black
CN1-10	NC		CN1-10	NC	

USB



Pin No.	Symbols	Color	Pin No.	Symbols	Color
CN1-1	VCC	Red	CN2-1	VCC	Red
CN1-2	D-	White	CN2-2	D-	White
CN1-3	D+	Green	CN2-3	D+	Green
CN1-4	GND	Black	CN2-4	GND	Black
CN1-5	Shield				

VGA



Pin No.	Symbols	Color	Pin No.	Symbols	Color
1	R	Red	1	R	Red
2	R-GND	Black	6	R-GND	Black
3	G	Green	2	G	Green
4	G-GND	Black	7	G-GND	Black
5	B	Blue	3	B	Blue
6	B-GND	Black	8	B-GND	Black
7	SDA	Yellow	12	SDA	Yellow
8	HS	Orange	13	HS	Orange
9	VS	White	14	VS	White
10	SCL	Brown	15	SCL	Brown