

Display Lights



Selection Guide.....	680
Signalight Towers	682
NEW 70mm LT7 Series Light Towers	682
56mm LT1 Series Light Towers	685
Panel Mounted Annunciators	692
30mm SLC30 Series	692
30mm SLC30-IPS Series	700
40mm SLC40 Series	707

Switches & Pilot Lights

Display Lights

Relays & Sockets

Timers

Terminal Blocks

Circuit Breakers



For more information on this product family, visit our website.

Additional resources include:

- New and updated product information
- Downloadable software demos & upgrades
- Part configuration tool & cross reference
- Online stock check & ordering
- IDEC field sales & distributor search
- Online literature request
- Downloadable manuals & CAD drawings
- Manufacturer's suggested retail price list
- Product training schedule & locations
- Advertising & trade show schedules
- Press releases & FAQs

www.idec.com/displaylight

Selection Guide
Signalight Towers

Switches & Pilot Lights





Display Lights

Relays & Sockets











Timers


Terminal Blocks

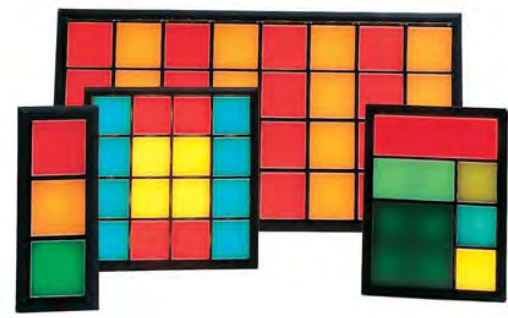
Circuit Breakers

	70mm LT7	56mm LT1
Page	682	685
Appearance	 <p>NEW Models</p>	
Description	LED	Incandescent or LED
	Steady or Flashing Light with Buzzer	Steady or Flashing Light
Features	<ul style="list-style-type: none"> • Ultra bright LEDs • Fast and easy assembly • Optional adjustable alarm • Color-coded wiring terminals • LED strobe modules 	<ul style="list-style-type: none"> • Select your flash preference, lens colors, base, number of tiers, mounting style, and voltage • Replace the bulbs independently; there is no need to disassemble the entire unit • Heat- and shock-resistant polycarbonate lenses • Choice of metallic base or cost-saving plastic base • Color-coded wires make assembly and wiring easy
Nominal Voltage	24V DC, 90-250V AC	12V AC/DC, 24V AC/DC, 120V AC, 240V AC (incandescent only)
Lamp Style	Lens LED modules	BA15D lamp base
Lens Colors	Red, Amber, Green, Blue, White, Lemon Yellow	Red, Yellow, Green, Blue, White
Degree of Protection	IP65/NEMA Type 4, 4X, 13	IP20 (for indoor use only)
Mounting	Base-mounting with stud L-angle bracket with pole Base-mount with pole Wall mount bracket	Base-mount bracket with pole L-angle bracket with pole NPT mount (via adaptor) to 1/2" or 3/4" NPT conduit; install in an upright position
Lens Diameter	70mm (2.75")	56mm (2.20")
Ratings/Approvals	 File #E245027	 File #E70646

SLC Series — Panel Mount Annunciators

	SLC30 1.18" (30mm)	SLC30-IPS 1.18" (30mm)	SLC40 1.57" (40mm)
Page	692	700	707
Appearance	<p>Full Voltage</p>  <p>Transformer</p> 	<p>Available with integrated control unit pushbuttons and key switches</p> 	<p>Full Voltage</p>  <p>Transformer</p> 
Features	<ul style="list-style-type: none"> • Custom-built, multiple combination windows • Custom illumination color combinations • Optional legend engraving 		
Illumination Face Size	Style F: 1.181" x 1.181" (30 x 30mm) Style H: 1.181" x 2.362" (30 x 60mm) Style L: 1.181" x 3.543" (30 x 90mm) Style V: 2.362" x 1.181" (60 x 30mm) Style G: 2.362" x 2.362" (60 x 60mm)		Style F: 1.575" x 1.575" (40 x 40mm) Style H: 1.575" x 3.150" (40 x 80mm) Style L: 1.575" x 4.724" (40 x 120mm) Style V: 3.150" x 1.575" (80 x 40mm)
Light Source	LED cluster or bayonet base incandescent (1W)		LED cluster or screw base incandescent (2W)
Illumination Colors	LED: Amber, Blue, Green, Red, Yellow, White, Red/Green 2-color alternate* Incandescent: Amber, Blue, Green, Red, Yellow, White		
Input Type/Voltage	LED	Full voltage Transformer DC-DC converter	6, 12, 24V DC 120V, 240V AC 110V DC
	Incandescent	Full voltage Transformer	6.3, 18, 24, 30V DC 120V, 240V AC (50/60Hz)
Termination	M3.5 screw with captive sems plate (M3 screw check terminals on applicable units)		
Approvals	 Cert No. B970213332375  UL Recognized File No. E68961   CSA Certified File No. LR48366  ABS American Bureau of Shipping		

 *Red/Green 2-color alternate available in 24V LED only.



Switches & Pilot Lights

Display Lights

Relays & Sockets

Timers

Terminal Blocks

Circuit Breakers

70mm Light Towers

Easily build or modify the combination that works for you!

The LT7 light tower combines innovative LED technology with modular style assembly. This enables the towers to meet the extensive requirements seen in most status indicating applications. The simple design uses only 9 modular components to make a five color tower complete with alarm and flashing functions.

Using the latest and brightest LEDs, the LT7 product range provides brilliant illumination for all the lens colors. The unique prism cut design enhances the brightness and ensures outstanding levels of visibility from any direction and distance.

Key features of the LT7 series light towers include:


- 70mm diameter
- Ultra bright LEDs
- LED strobe modules
- Unique interlocking construction
- Fast and easy assembly
- Optional adjustable alarm
- Lead-free design, RoHS compliant
- IP65 environment protection, NEMA Type 4, 4X, 13
- Color-coded wiring terminals
- Only nine modular components with 5 lens colors & 4 base units
- UL/c-UL Listed, CE marked



Part Numbers


Part Numbers: Base Units

Voltage	Steady	Flashing/Buzzer
24V DC	LT7B-D24	LT7B-D24FB
	LT7B-D24SB*	
90-250V AC	LT7B-A250	LT7B-A250FB

-  1. Base unit comes with top cap.
2. *Short body, black base type.

Part Numbers: Lens/LED Units

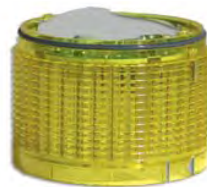
Color	Part Number
Red	LT7A-R
Amber Yellow	LT7A-Y
Green	LT7A-G
Blue	LT7A-S
White	LT7A-C
Lemon Yellow	LT7A-LY*

 *Maximum 5 LED color variations per base. Lemon yellow LED module and amber yellow LED module share same signal and both will light if stacked together.

Part Numbers: LED-Strobe Units

Color	Part Number
Red	LT7A-XE-R
Amber Yellow	LT7A-XE-Y
Green	LT7A-XE-G
Blue	LT7A-XE-S
White	LT7A-XE-C

 (for 24V DC base only)



Lemon Yellow LED module



Short body type

Switches & Pilot Lights

Display Lights

Relays & Sockets

Timers

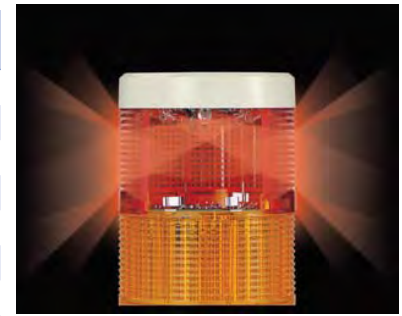
Terminal Blocks

Circuit Breakers

LT7 Specifications

Base Units		LT7B-D24 LT7B-D24SB	LT7B-D24FB		LT7B-A250	LT7B-A250FB		
Specifications	Operation/Function	Steady	Flashing/Steady		Steady	Flashing/Steady		
	Rated Voltage	24V DC			90-250V AC (50/60Hz)			
	Operating Voltage	24V ±10% (21.6-26.4V)			90-250V AC (50/60Hz)			
	Alarm	-	Alarm 1*	Alarm 2**	-	Alarm 1*	Alarm 2**	
	Current Consumption	-	50±10mA	24±10mA	-	50±10mA	24±10mA	
	Power Consumption	-	1.2±0.25W	0.58±0.25W	-	1.8±0.25W	1.3±0.25W	
	Alarm Sound Level	Max	-	90dB±5 (at 1m)		-	90dB±5 (at 1m)	
		Min	-	70dB or less (at 1m)		-	70dB or less (at 1m)	
	Flashing Cycle	-	60±12 flashes per minute			-	60±12 flashes per minute	
	Operating Temperature Range	-30°C~+60°C			-25°C~+55°C			
	Mounting	Upright, indoor only			Upright, indoor only			
	Protection	IP65, NEMA Type 4, 4X, 13			IP65, NEMA Type 4, 4X, 13			
Weight	250g	280g		310g	340g			
Open Collector	PNP/NPN			NPN				

*Alarm 1: continuous sound
*Alarm 2: intermittent sound



Ultra-bright LEDs



Color Coded Wiring Terminals

Lens/LED and LED-Strobe Units*		LT7A-R	LT7A-Y	LT7A-G	LT7A-S	LT7A-C	LT7A-LY	LT7A-XE-R	LT7A-XE-Y	LT7A-XE-G	LT7A-XE-S	LT7A-XE-C	
Specifications	LED Unit Type	Steady/Flashing						Strobe					
	LED Unit Color	Red	Amber Yellow	Green	Blue	White	Lemon Yellow	Red	Amber Yellow	Green	Blue	White	
	Current/Power	52mA/1.25W		42mA/1.0W				280mA/6.96W		130mA/3.36W		260mA/6.48W	270mA/6.72W
	Operating Temperature Range	-30°C~+60°C						-10°C~+60°C					
	Weight	60g						70g					

*Operate with all voltage base units listed on previous page.
 1. Strobe units pulse 77 times per minute
 2. Strobe units suitable only for BASE unit [LT7B-D24(FB)]. Units do NOT work with BASE unit [LT7B-A250(FB)].
 3. Strobe units should be operated in 'Continuous light' mode. If it is operated in flashing mode, it will NOT operate correctly.

4. Do not substitute parts of units from other products.
 5. This product can be used only indoors. Do not use outdoors.
 6. Do not use without LED unit or top cover installed.

Accessories & Replacement Parts

LT9Z-7T	LT9Z-7L	LT9Z-SZ007	LT9Z-SZ020*	LT9Z-SZ018	LT9Z-SZ50NPT	LT9Z-HCLT7	LT9Z-M4NUTSLT7	LT9Z-ORINGLT7
mounting pole with base mount	mounting pole with L-angle bracket	90 degree angle mounting bracket	wall mounting bracket (pole required)	wall mounting bracket (direct mount)	1/2" NPT aluminum mounting adapter	replacement top cap (1 piece)	Replacement M4 mounting nuts (1 piece)	Replacement O-ring gasket (1 piece)

Must use LT9Z-7L pole mount with LT9Z-SZ020 wall mount bracket.

Switches & Pilot Lights

Display Lights

Relays & Sockets

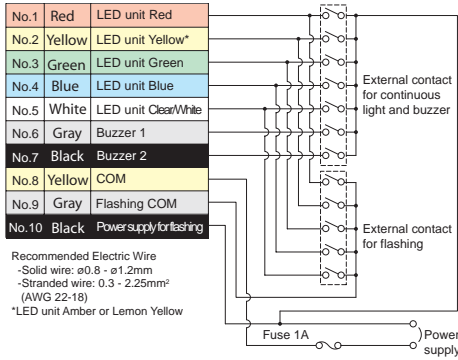
Timers

Terminal Blocks

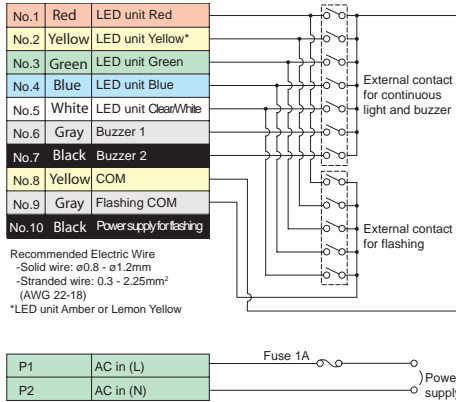
Circuit Breakers

Wiring Examples

LT7B-D24FB

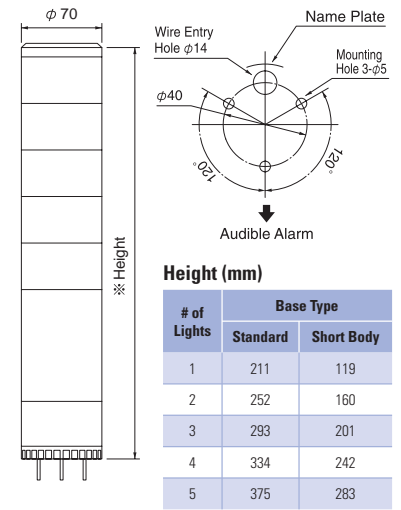


LT7B-A250FB



LT7 Dimensions

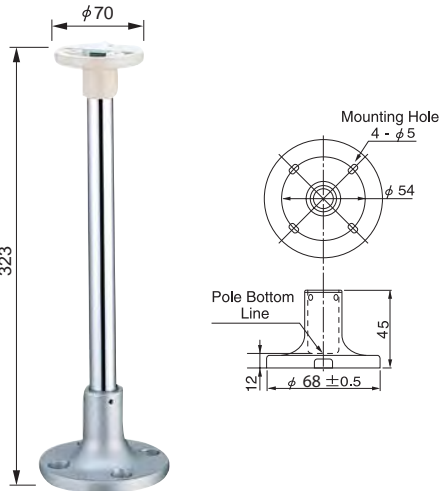
LT7 Base Unit



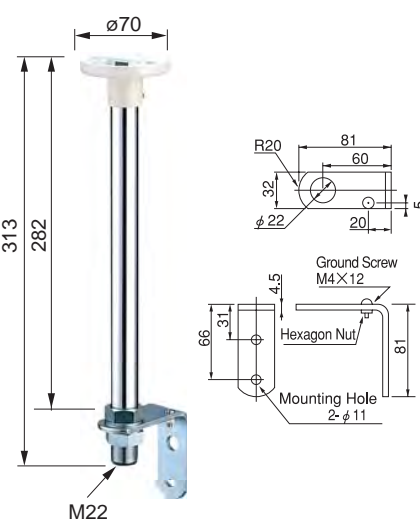
LT7 Dimensions con't

LT7 Mounting Brackets

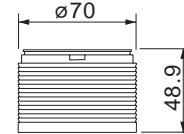
LT9Z-7T



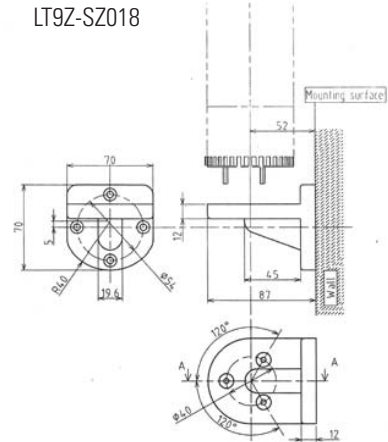
LT9Z-7L



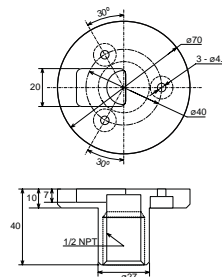
LT7 LED Unit



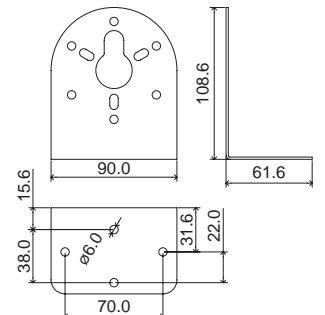
LT9Z-SZ018



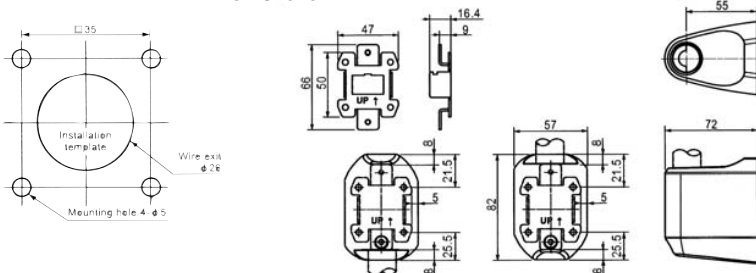
LT9Z-SZ50NPT



LT9Z-SZ007



LT9Z-SZ020



Switches & Pilot Lights

Display Lights

Relays & Sockets

Timers

Terminal Blocks

Circuit Breakers

56mm LT1 Series Light Towers

Display Lights with a Tower of Advantages

Key features of the LT1 series Signalight towers include:

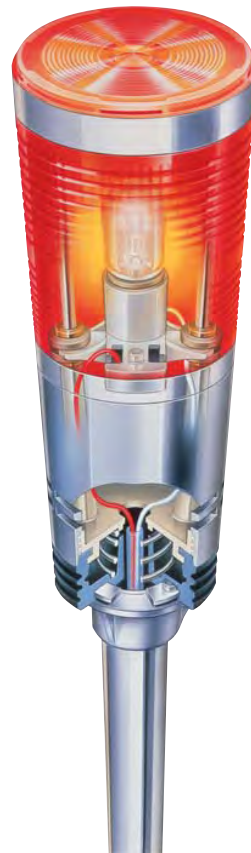
- Custom configurations meet your specifications—simply
- Select your flash preference, lens colors, number of tiers, mounting style, and voltage
- Choice of LED or incandescent lamps
 - LED lamps provide over 100,000 hours of service life and are interchangeable with incandescent bulbs
 - Incandescent lamps (available up to 10 watts) are vibration-resistant and provide a 2,000 hour service life
- Replace the bulbs independently; no need to disassemble the entire unit
- Heat- and shock-resistant polycarbonate lenses
- Flashing models allow each lamp to be flashed or steady
- Choice of metallic base or cost-saving plastic base
- Color-coded wires make assembly and wiring easy
- Mounting options include base and pole mount



Base Mount



Pole Mount
(with "L" bracket)



Switches & Pilot Lights

Display Lights

Relays & Sockets

Timers

Terminal Blocks

Circuit Breakers



LT1 Specifications

Switches & Pilot Lights


Display Lights

Relays & Sockets

Timers

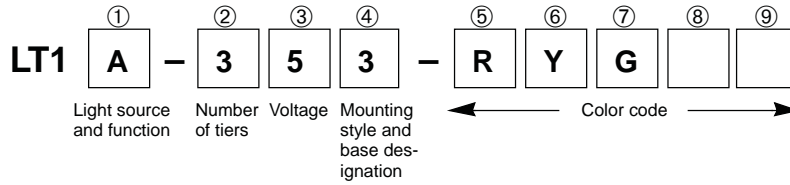
Terminal Blocks

Circuit Breakers

LT1A: Incandescent, Non-Flashing								
LT1D: Incandescent, Flashing/Non-Flashing								
LT1H: LED, Non-Flashing								
LT1K: LED, Flashing/Non-Flashing								
Nominal Voltage	12V AC/DC ±10%	24V AC/DC ±10%	120V AC ±10%	240V AC ±10%				
Internal Fuse Rating	3.15A	3.15A	1A	1A				
Lamp Rating	LED	12V AC/DC	24V AC/DC	120V AC	N/A			
	Incandescent	12V, 6W	30V, 10W	120V, 7W	240V, 10W			
Current Required per Lamp	LED		Red	Green	Yellow	White	Blue	N/A
		12V DC	54mA	78mA	54mA	54mA	78mA	
		24V DC	54mA	39mA	54mA	54mA	39mA	
	120V AC	30mA	30mA	30mA	30mA	30mA		
Incandescent	0.4A ±10%	0.3A ±10%	0.06A ±10%		0.05A ±10%			
External Contact Capacity	5A	5A	2A	1A				
In-Rush Current per Lamp	LED	Not applicable						
	Incandescent	Below 4.0A	Below 3.0A	Below 0.6A	Below 0.5A			
Lamp Style	LED	BA15D lamp base						
	Incandescent	T20 glass bulb, BA15D lamp base						
Lamp Life-Span	LED	100,000 hours (minimum)						
	Incandescent	2,000 hours (average)						
Lens Colors	Red, Yellow, Green, Blue, White							
Lens Diameter	2.20" (56mm)							
Maximum Tiers	5							
Degree of Protection	IP20 (for indoor use only), NEMA1							
Flash Rate	LED: 45/minute ±10% (LT1K only) Incandescent: 80/minute ±10% (LT1D only)							
Insulation Resistance	More than 3MΩ by a DC 500V megger							
Voltage Resistance	1,500V AC for 1 minute							
Operating Range	-30 to +40°C (LT1A), -10 to +40°C (LT1D), 15 to 90% relative humidity							
Vibration Resistance	2.2G maximum							
Mounting	Base mount (three stud) Pole mount (horizontal or vertical surface) NPT mount (via adaptor) to 1/2" or 3/4" NPT conduit Install in an upright position							
Optional Pole Height	10.75" (273mm)							
Approvals	 File #E70646							
Wire Size	Non-flashing (steady): 20 AWG Flashing: 18 AWG and 20 AWG							

LT1 Part Numbers (assembled)

Part Number Guide



To determine the appropriate assembled Signalight part number, use these numbered boxes in conjunction with the codes in the *Part Numbers: Assembled Parts* table below.

Part Numbers: Assembled Parts

Box No.		Description	Code
①	Light source and function	Non-flashing (steady), incandescent lamp	A
		Flashing/non-flashing, incandescent lamp	D
		Non-flashing (steady), LED lamp	H
		Flashing/non-flashing, LED lamp	K
②	Number of tiers	Maximum of 5 tiers	1-5
③	Voltage	12V AC/DC	1
		24V AC/DC	2
		120V AC	5
		240V AC (incandescent only)	8
④	Mounting style and base designation	Beige frame cover	1
		Metallic frame cover	2
		Beige frame cover, pole incl.	3
		Metallic frame cover, pole incl.	4
⑤ – ⑨	Color code	Red	R
		Yellow	Y
		Green	G
		Blue	S
		White	W



*Specify lens color code from the lowest to the highest tier.



Examples: Assembled Parts

Part No.	Description
LT1A-354-RRR	Non-flashing incandescent, 3 tiers, 120V AC, pole-mount, metallic base, all Red lenses
LT1D-182-S	Flashing/non-flashing incandescent, 1 tier, 240V AC, base-mount, metallic base, Blue lens
LT1D-221-RS	Flashing/non-flashing incandescent, 2 tier, 24V AC/DC, base-mount, plastic base, Red and Blue lenses
LT1H-412-RGYW	Non-flashing LED, 4 tier, 12V AC/DC, base-mount, metallic base, Red, Green, Yellow, and White lenses
LT1K-554-GSRGR	Flashing/non-flashing LED, 5 tier, 120V AC, pole-mount, metallic base, Green, Blue, Red, Green, and Red lenses

Switches & Pilot Lights

Display Lights

Relays & Sockets

Timers

Terminal Blocks

Circuit Breakers

LT1 Part Numbers (sub-assembled)

Switches & Pilot Lights



Frame



Lenses



Lamps



Top Cap

=



Complete Part

Display Lights

Part Numbers: Frame

Relays & Sockets

Description	Part No.	Notes	Examples
<p>Frame</p>	<p>LT1 ①-01 ② ③*</p>	<p>① = Type A = Incandescent, non-flashing D = Incandescent, flashing/non-flashing H = LED, non-flashing K = LED, flashing/non-flashing</p> <p>② = Number of tiers (1–5)</p> <p>③ = Lamp voltage 1 = 12V AC/DC 2 = 24V AC/DC 5 = 120V AC 8 = 240V AC</p> <p>* = Frame cover (M = metallic, P = beige)</p>	<p>LT1A-0142M = Steady light, four tiers, 24V AC/DC, metallic base</p> <p>LT1D-0125P = Flashing light, two tiers, 120V AC, plastic base</p>

Bill of Materials Quantities

Timers

Description	Quantity
Body frame	Required: 1 per unit
Lens(es)	Variable: from 1–5
Top cap	Required: 1 per unit
Lamps	Variable: from 1–5
Mounting pole	Optional: 1 per unit

Terminal Blocks

Circuit Breakers

LT1 Accessories

Part Numbers: Accessories

Description	Part No.	Remarks
 <p>LED Lamp</p>	LTXD-1 ^②	12V AC/DC See chart for available colors
	LTXD-2 ^②	24V AC/DC See chart for available colors
	LTXD-120 ^②	120V AC See chart for available colors
 <p>Incandescent Lamp</p>	B5-21	12V AC/DC, 6W
	B5-31	30V, 10W (for use with 24V AC/DC)
	B5-1	120V AC, 7W
	B5-4	240V AC, 10W
 <p>Lens</p>	LT1X-08 ^②	See chart for available colors
 <p>Top Cap</p>	LT1X-06	Clear polycarbonate
 <p>Mounting Pole</p>	LT1Z-10	Chrome-plated steel supplied with "L" bracket and two M22 x 1.5 hexagonal nuts
 <p>Pole Mounting Fixture</p>	LT1Z-11	Aluminum fixture for mounting pole-mounted units to horizontal surface; not included with assembled Signalight units
 <p>NPT Pole Adaptors</p>	LT1Z-NPT50	1/2" NPT pole adapter; not included with assembled Signalight units
	LT1Z-NPT75	3/4" NPT pole adapter; not included with assembled Signalight units

② Lens/LED Color Code

Color	Code
Green	G
Red	R
Blue	S
White	W
Yellow	Y



In place of ② specify lens/LED color code from chart at right.

Switches & Pilot Lights

Display Lights

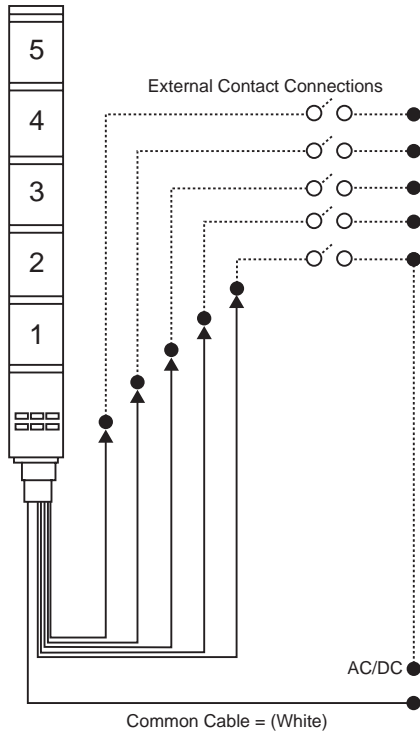
Relays & Sockets

Timers

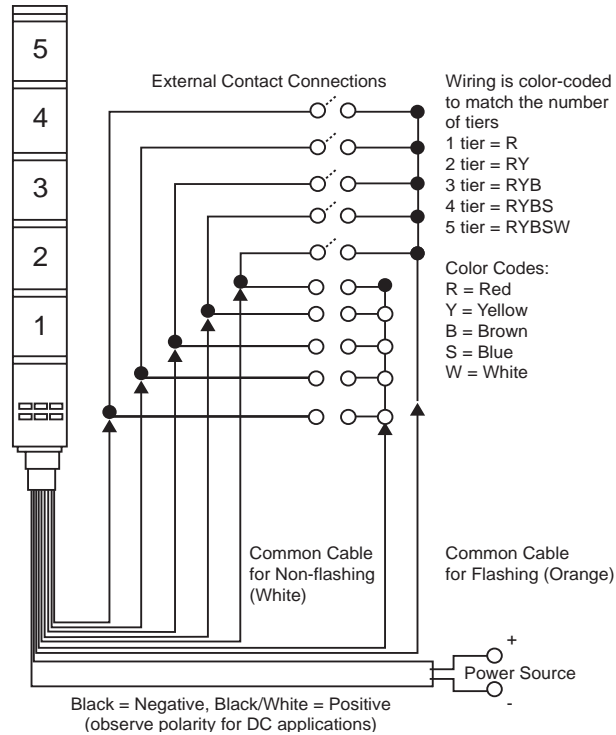
Terminal Blocks

Circuit Breakers

LT1 Wiring



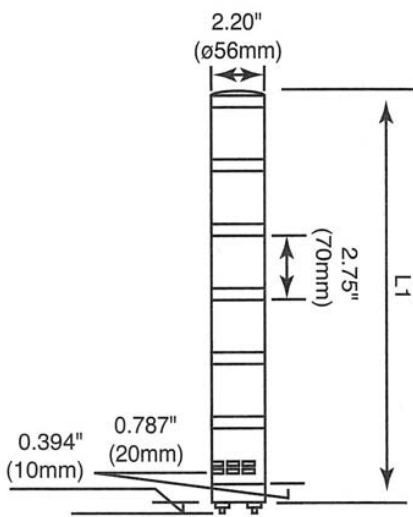
LT1A/LT1H: Non-Flash Series



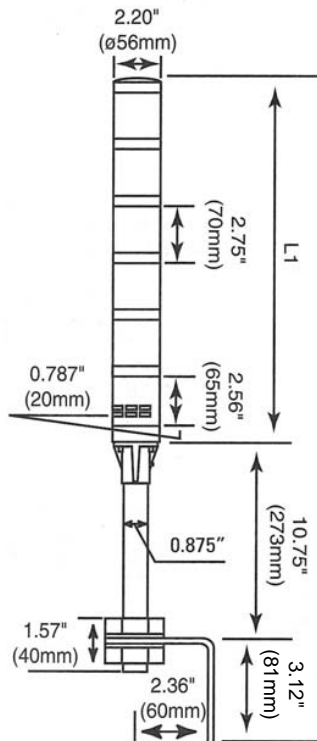
LT1D/LT1K: Flash/Non-Flash Series

Signalight Dimensions

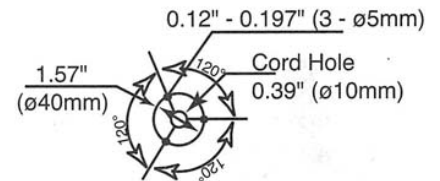
Assembled Base Mount



Assembled Pole Mount



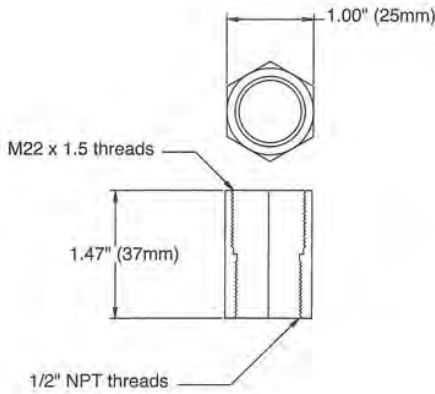
**Mounting Hole Layout:
Base Mounting Style**



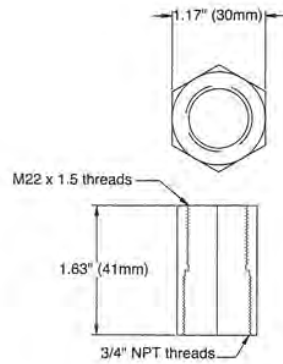
Number of Tiers	L1
1	6.7" (170mm)
2	9.4" (240mm)
3	12.2" (310mm)
4	15.0" (380mm)
5	17.7" (450mm)

LT1 Dimensions con't

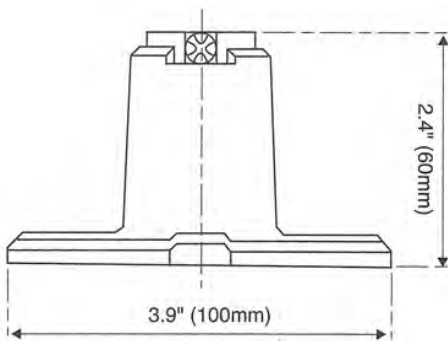
Adapter
LT1Z-NPT50



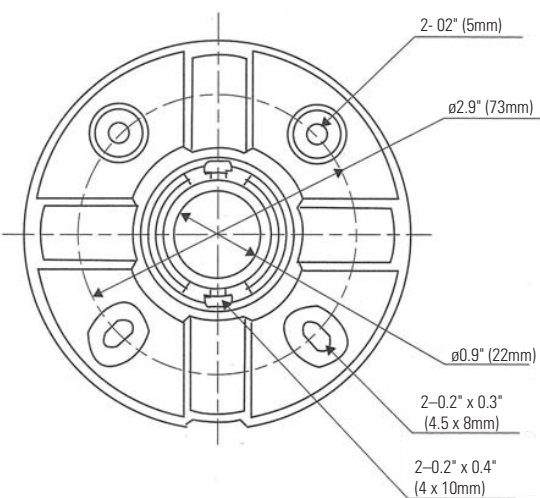
LT1Z-NPT75



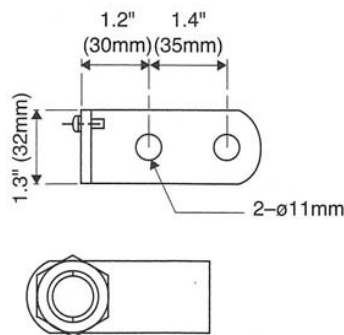
Optional Pole Mounting Base: Side View (LT1Z-11)



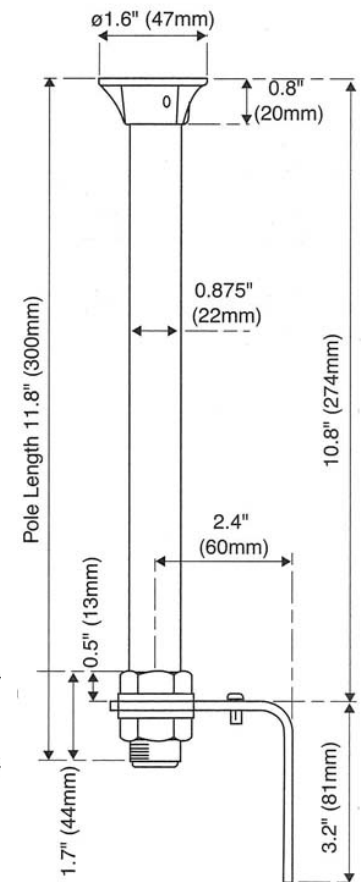
Optional Pole Mounting Base: Bottom View



Mounting Bracket
(provided with mounting pole)



Mounting Pole (LT1Z-10)



Switches & Pilot Lights

Display Lights

Relays & Sockets

Timers

Terminal Blocks

Circuit Breakers

SLC30 Series – Panel Mounted Annunciators

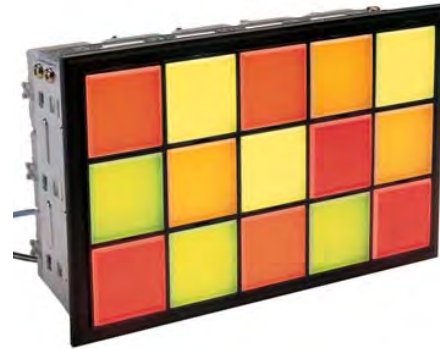
SLC Series Panel Mounted Annunciators – an Ideal Alternative to Mounting Multiple Pilot Devices

Cluster mounting simplifies panel cutouts and offers a variety of window combination sizes!

Available with incandescent or Superbright LED illumination.

Key features of the SLC30 series include:

- Custom configurations with up to 200 windows
- Five window sizes based on a 30mm grid
- Non-reflective clear lenses
- Incandescent or Superbright LED illumination
- Wide variety of input voltages
- Two color alternate illumination in Red/Green LED



UL Recognized
File No. E68961



CSA Certified
File No.
LR48366



Cert No.
B970213332375

ABS
American
Bureau of
Shipping



Style F
(30mm x 30mm)



Style H
(30mm x 60mm)



Style L
(30mm x 90mm)



Style V
(60mm x 30mm)



Style G
(60mm x 60mm)



Staggered Terminals:
increased safety
and serviceability

Specifications

Light Source		LED	Incandescent
Nominal Voltages	Full Voltage	6, 12, 24V AC/DC	6, 12, 18, 24, 30V AC/DC
	Transformer	120, 240V AC	120, 240V AC
	DC-DC Conv.	110V DC	110V DC
Colors		Amber, Green, Red, Yellow, Blue (24V only), White, dual color Red/Green (24V only)	Amber, Green, Red, Yellow, Blue, White
Lamp Type		Surface (Chip type) LED cluster	BA9S/13 (T3-1/4) bayonet base (1W)
Current Consumption	6V DC	Red (R), Green (G), Yellow (Y), Amber (A), White (W): 80mA	
	12V DC	Red (R), Green (G), Yellow (Y), Amber (A), White (W): 40mA	
	24V DC	Red (R), Green (G), Yellow (Y), Amber (A), White (W), Blue (S): 20mA	
Available Window Sizes		<div style="display: flex; justify-content: space-around; align-items: flex-end;"> <div style="text-align: center;"> <p>"F"</p> <p>30x30mm</p> </div> <div style="text-align: center;"> <p>"H"</p> <p>30x60mm</p> </div> <div style="text-align: center;"> <p>"L"</p> <p>30x90mm</p> </div> <div style="text-align: center;"> <p>"V"</p> <p>60x30mm</p> </div> <div style="text-align: center;"> <p>"G"</p> <p>60x60mm</p> </div> </div>	
Insulation Resistance		More than 100 MΩ by a 500V DC megger	
Degree of Protection		IP20 (for indoor use only), NEMA 1	
Dielectric Strength		2,000V AC direct (2,500V AC transformer, 1 minute)	
Operating Temperature		- 20° to +40°C; 15-90% relative humidity (- 10° to +40°C DC-DC converter)	
Material of Marking Plate and Color Screen		Polycarbonate	
Termination		M3.5 screw with captive sems plate (Check terminals: M3 screw with captive sems plate on applicable units)	
Maximum Size		Full voltage 10 rows, 20 columns (200 windows) Transformer and DC/DC converter (50 windows)	
Recommended Wire Size		22-14 AWG x2 (2mm ² x 2)	
Approvals		<p>Cert. No. B970213332375</p>	<p>UL Recognized File No. E68961</p>

Switches & Pilot Lights

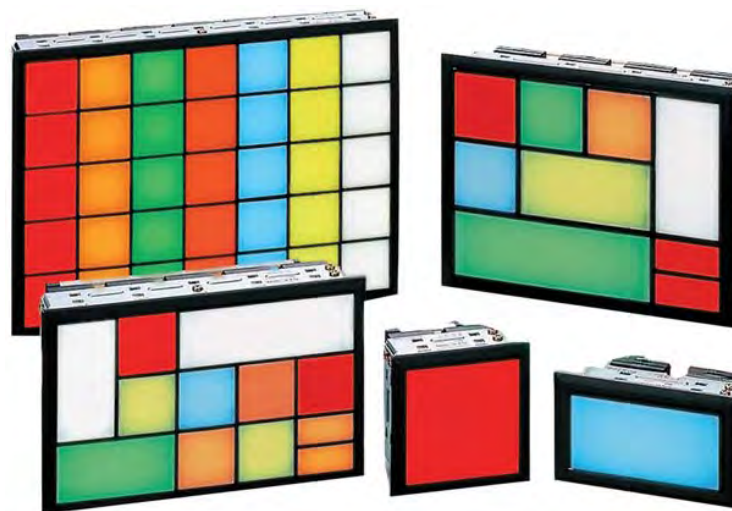
Display Lights

Relays & Sockets

Timers

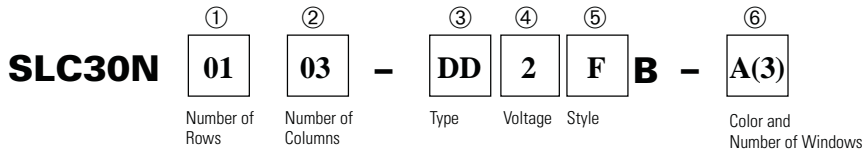
Terminal Blocks

Circuit Breakers



Part Numbers (assembled)

Part Number Guide



Switches & Pilot Lights

Display Lights

Relays & Sockets

Timers

Terminal Blocks

Circuit Breakers

Description		Code	Remark
① Number of Rows		01, 02, 03, 04, 05, 06, 07, 08, 09, 10	10 row maximum (always expressed in terms of "F" size windows)
② Number of Columns		01, 02, 03, 04, 05, 06, 07, 08, 09, 10 11, 12, 13, 14, 15, 16, 17, 18, 19, 20	20 column maximum (always expressed in terms of "F" size windows)
③ Type	LED	Full voltage	DD 6V, 12V, 24V
		Full voltage with check terminal	DHM 24V only
		Full voltage 2 color (Red/Green)	DW 24V only
		Transformer	TD 120V, 240V AC
		DC-DC converter	CD 110V DC only
	Incandescent	Full voltage	DS 6V, 12V, 18V, 24V, 30V
		Transformer	TS 120V, 240V
④ Voltage	6V AC/DC	6 Type DD or DS	
	12V AC/DC	1 With Type DD or DS	
	18V AC/DC	8 Type DS only	
	24V AC/DC	2 Type DD, DW, DS or DHM	
	30V AC/DC	3 Type DS only	
	120V AC	12 Type TD or TS	
	240V AC	24 Type TD or TS	
	110V DC	1 With Type CD	
	No lamp	99 Type DS only	
⑤ Style	Square	F 30x30mm	
	Horizontal rectangle	H 30x60mm	
	Horizontal rectangle with barrier	H2	
	Large horizontal rectangle	L 30x90mm	
	Vertical rectangle	V 60x30mm	
	Large square	G 60x60mm	
	Combination	M Fill out order form on next page	
⑥ Color (number of windows)	Amber	A	
	Green	G	
	Red	R	
	Blue	S (LED version: 24V only)	
	White	W	
	Yellow	Y	

- 1. Secondary voltage on transformers and DC-DC converters is 24V.
- 2. To specify arrangement of varying window sizes and colors, use the order form on the next page.
- 3. Drawing required for any units ordered with engraving.
- 4. Incandescent models use color screen and marking plate, LED models use 2 marking plates (no color screen).

How to complete SLC30N Series annunciator order form:

Switches & Pilot Lights

Display Lights

Relays & Sockets

Timers

Terminal Blocks

Circuit Breakers

1. Draw the SLC30N layout in the Order Form as per customer requirements. Define the boundaries of each window (F, V, H, L or G Style) and of complete annunciator panel by heavy border lines. Specify each window color with appropriate designation (eg: G for Green, R for Red, etc). See Example 1 below:

Example 1

	1	2	3	4	5
1	R				
2	Y				
3	G				
4					
5					

2. Count number of rows and columns. eg: Example 1, Rows: 03 and Columns: 03
SLC30N-0303
3. Determine the type of illumination required. eg: "DD" for LED full voltage type illumination.
SLC30N-0303-DD
4. Determine the voltage code. eg: "2" for 24V AC/DC.
SLC30N-0303-DD2
5. Determine window style. eg: "L" style windows as shown in Example 1.
SLC30N-0303-DD2LB*
*B denotes black frame
6. Count the number of different colored windows in the annunciator. Example 1 has 1 Red L-style (30x90mm) window, 1 Yellow L-style window and 1 Green L-style window.
SLC30N-0303-DD2LB-R(1)Y(1)G(1)
7. Now your part number is complete, please fill out contact information and fax or email the form to IDEC Customer Service for order processing. If you would like to get annunciator windows engraved, please see the information on page 715 and send us your engraving information. If you have any questions, please contact IDEC Technical Support or for additional information, view examples 2 and 3.:

Example 2

Rows=03; Columns= 03; F Style Windows (30x30mm); LED Full Voltage 24V AC/DC Illumination. Part number **SLC30N-0303-DD2FB-R(3)Y(3)G(3)**.

	1	2	3	4
1	R	R	R	
2	Y	Y	Y	
3	G	G	G	
4				

Example 3:

Rows = 04; Columns = 05; M = combination of various window styles(F, H, L V and G Style) ; LED Full Voltage 24V AC/DC Illumination.
Part number **SLC30N-0405-DD2MB-A(1)R(2)Y(1)G(1)W(2)S(2)**.

	1	2	3	4	5
1		R	W		
2	Y	A			S
3	W				
4	S	R		G	
5					

Dimensions

Panel Cut-Out Dimensions

No. of Rows	No. of Columns			1	2	3	4	5	6	7	8	9	10	11	12	13	14	15	16	17	18	19	20
	Overall Panel Width Dimension →			1.654" (42mm)	2.853" (72mm)	4.016" (102mm)	5.197" (132mm)	6.378" (162mm)	7.559" (192mm)	8.740" (222mm)	9.921" (252mm)	11.102" (282mm)	12.283" (312mm)	13.465" (342mm)	14.646" (372mm)	15.827" (402mm)	17.008" (432mm)	18.189" (462mm)	19.370" (492mm)	20.551" (522mm)	21.732" (552mm)	22.913" (582mm)	24.094" (612mm)
	Overall Height ↓	Cut-out Ht ↓	Cut-out Wd →	1.378" (35mm)	2.559" (65mm)	3.740" (95mm)	4.921" (125mm)	6.102" (155mm)	7.283" (185mm)	8.465" (215mm)	9.646" (245mm)	10.827" (275mm)	12.008" (305mm)	13.189" (335mm)	14.370" (365mm)	15.551" (395mm)	16.732" (425mm)	17.913" (455mm)	19.094" (485mm)	20.276" (515mm)	21.457" (545mm)	22.638" (575mm)	23.819" (605mm)
1	1.654" (42mm)	1.378" (35mm)		1	2	3	4	5	6	7	8	9	10	11	12	13	14	15	16	17	18	19	20
2	2.853" (72mm)	2.559" (65mm)		2	4	6	8	10	12	14	16	18	20	22	24	26	28	30	32	34	36	38	40
3	4.016" (102mm)	3.740" (95mm)		3	6	9	12	15	18	21	24	27	30	33	36	39	42	45	48	51	54	57	60
4	5.197" (132mm)	4.921" (125mm)		4	8	12	16	20	24	28	32	36	40	44	48	52	56	60	64	68	72	76	80
5	6.378" (162mm)	6.102" (155mm)		5	10	15	20	25	30	35	40	45	50	55	60	65	70	75	80	85	90	95	100
6	7.559" (192mm)	7.283" (185mm)		6	12	18	24	30	36	42	48	54	60	66	72	78	84	90	96	102	108	114	120
7	8.740" (222mm)	8.465" (215mm)		7	14	21	28	35	42	49	56	63	70	77	84	91	98	105	112	119	126	133	140
8	9.921" (252mm)	9.646" (245mm)		8	16	24	32	40	48	56	64	72	80	88	96	104	112	120	128	136	144	152	160
9	11.102" (282mm)	10.827" (275mm)		9	18	27	36	45	54	63	72	81	90	99	108	117	126	135	144	153	162	171	180
10	12.283" (312mm)	12.008" (305mm)		10	20	30	40	50	60	70	80	90	100	110	120	130	140	150	160	170	180	190	200
Total Number of Windows (equivalent to style F—basic unit size)																							



- The number of rows and columns refers to styles equivalent to style F (basic unit size).
For styles H, L, V, and G, convert into style F (basic unit size) equivalents.
Style H: 1 window high (1 row) x 2 windows wide (2 columns)
Style V: 2 windows high (2 rows) x 1 window wide (1 column)
Style L: 1 window high (1 row) x 3 windows wide (3 columns)
Style G: 2 windows high (2 rows) x 2 windows wide (2 columns)
Example: 18 windows = 3 windows high (3 rows) x 6 windows wide (6 columns)
Overall dimension (H x W): 4.016" x 7.559" (102 x 192mm)
Panel cut-out (H x W): 3.740" x 7.283" (95 x 185mm)
Tolerance: +0.039" (1mm), -0
- For part numbering information, see page 694.

Window Dimensions

Window Style	Style F	Style H	Style L	Style V	Style G	
Appearance						
Window Size	Illumination Face (H x W)	1.181" x 1.181" (30 x 30mm)	1.181" x 2.362" (30 x 60mm)	1.181" x 3.543" (30 x 90mm)	2.362" x 1.181" (60 x 30mm)	2.362" x 2.362" (60 x 60mm)
	Lens (H x W)	1.102" x 1.102" (28 x 28mm)	1.102" x 2.283" (28 x 58mm)	1.102" x 3.432" (28 x 88mm)	2.283" x 1.102" (58 x 28mm)	2.283" x 2.283" (58 x 58mm)
	Marking Plate (H x W x t)	1.062" x 1.062" x 0.04" (27 x 27 x 1.0mm)	1.062" x 2.244" x 0.04" (27 x 57 x 1.0mm)	1.062" x 3.425" x 0.04" (27 x 87 x 1.0mm)	2.244" x 1.062" x 0.04" (57 x 27 x 1.0mm)	2.244" x 2.244" x 0.04" (57 x 57 x 1.0mm)
	Color Screen (H x W x t)	1.062" x 1.062" x 0.04" (27 x 27 x 1.0mm)	1.062" x 2.244" x 0.04" (27 x 57 x 1.0mm)	1.062" x 3.425" x 0.04" (27 x 87 x 1.0mm)	2.244" x 1.062" x 0.04" (57 x 27 x 1.0mm)	2.244" x 2.244" x 0.04" (57 x 57 x 1.0mm)
	Engraving Area	0.984" x 0.984" (25 x 25mm)	0.984" x 2.165" (25 x 55mm)	0.984" x 3.346" (25 x 85mm)	2.165" x 0.984" (55 x 25mm)	2.165" x 2.165" (55 x 55mm)

Switches & Pilot Lights

Display Lights

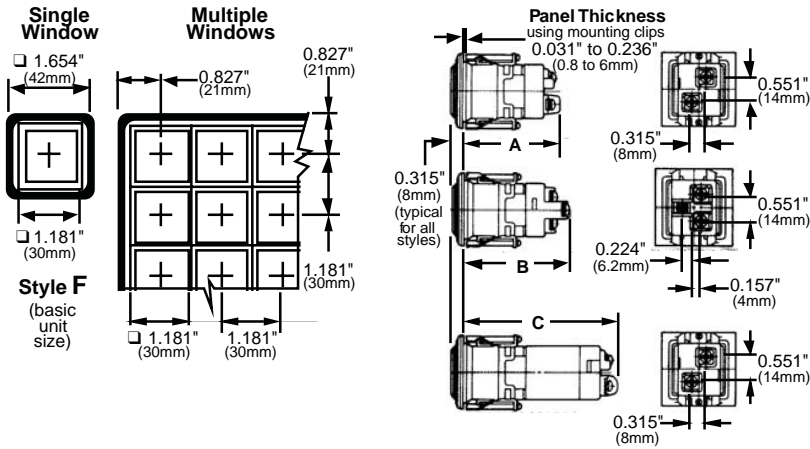
Relays & Sockets

Timers

Terminal Blocks

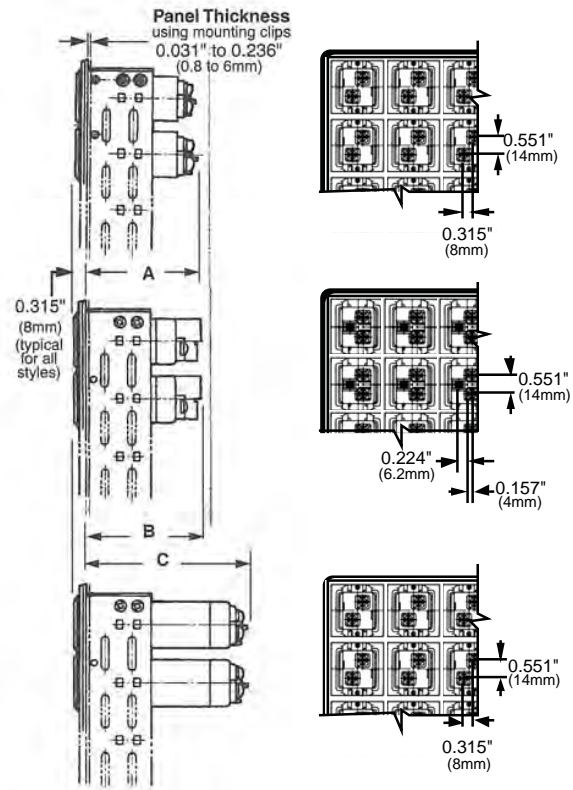
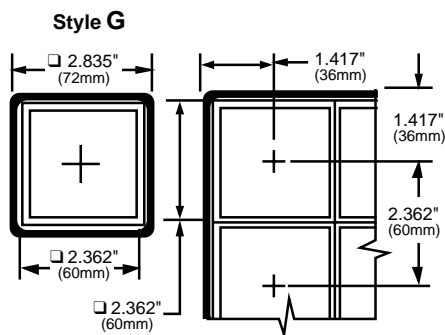
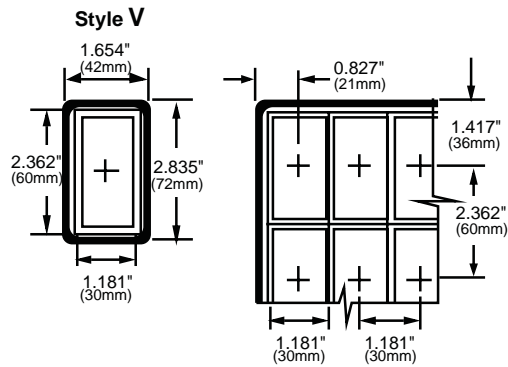
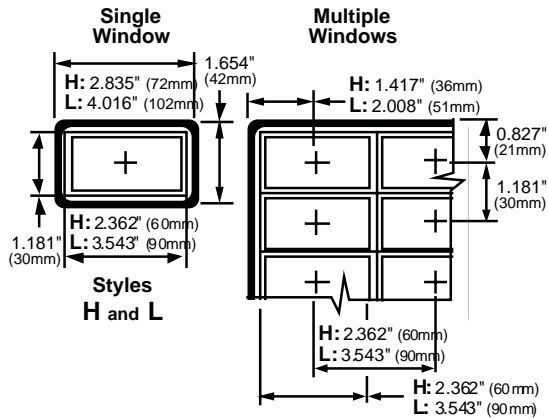
Circuit Breakers

Dimensions, continued



Styles F, H, L, V, G:
Single Window (right)
Multiple Windows (below)

	Description	LED	Incandescent
A	Full voltage	2.146" (54.5mm)	2.264" (57.5mm)
B	Full voltage LED 2-color alternate	2.343" (59.5mm)	—
C	Transformer	3.228" (82mm)	—
	DC-DC converter	3.228" (82mm)	—
	Transformer	—	3.228" (82mm)
	Terminals (X1, X2)	M3.5 screw	
	Check terminal (C)	M3 screw	
	Same terminals, adjacent windows	1.181" (30mm) centers	



Switches & Pilot Lights

Display Lights

Relays & Sockets

Timers

Terminal Blocks

Circuit Breakers

Dimensions, continued

JUMPERS

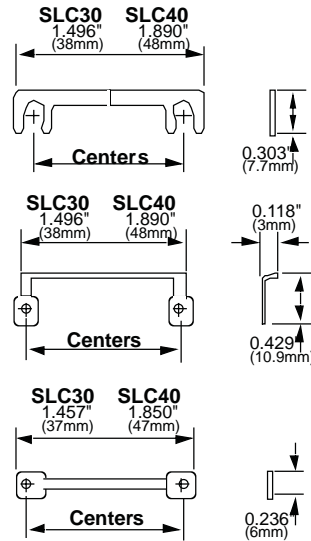
Thickness = 0.020" (0.5mm)

Centers:

SLC30 = 1.181" (30mm)

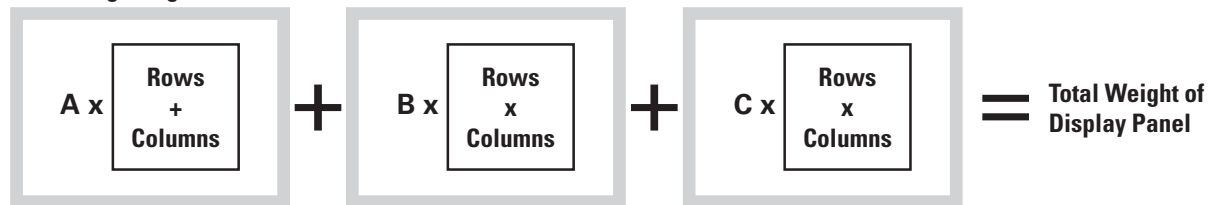
SLC40 = 1.575" (40mm)

± 0.004" (0.1mm)



Instructions

Estimating Weights



1. Make sure that the panel thickness is sufficient to support the total weight of the display panel(s).

A Frame Weight	B Housing Weight	Full Voltage	Transformer (incandescent/LED)	DC-DC Converter (LED only)
		C Lamp/LED Weight (includes lamp/LED)		
0.68oz (22g)	0.53oz (17g)	0.65oz (21g)	2.36oz (76g)	1.77oz (52g)

2. Weights are approximate.

Example:
 SLC30N-0304-DD2FB
 Total weight = A (rows + columns) + B (rows x columns) + C (rows x columns)
 Total weight = 0.68 (3+4) + 0.53 (3x4) + 0.65 (3x4) = 19.92 oz

SLC30-IPS Series – Panel Mounted Annunciators

SLC30-IPS combination display lights with control units combine display lights with control units such as pushbuttons, illuminated pushbuttons, selector switches and keylock selector switches.

This results in savings of both space and installation time, since mounting separate switches becomes unnecessary. SLC30-IPS combination display lights can be custom built to meet your specifications.

Key features of the SLC30-IPS series include:

- Switches are integrated into an assembled SLC matrix, requiring only one panel cutout
- Illuminated, non-illuminated, selector, and key-switches are available
- Five window sizes based on a 30mm grid
- Non-reflective clear lenses
- Incandescent or Superbright LED illumination
- Momentary pushbuttons only



Momentary Illuminated Pushbuttons
Square or Round with Square Bezel

Momentary Non-Illuminated Pushbuttons
Square or Round with Square Bezel

Selector Switches
2-Position or 3-Position

Switches & Pilot Lights

Display Lights

Relays & Sockets

Timers

Terminal Blocks

Circuit Breakers



Cert No.
B970213332375

Specifications

Light Source	LED		Incandescent		
	Nominal Voltages	Full Voltage	6, 12, 24V AC/DC	6, 12, 18, 24, 30V AC/DC	
Transformer		120, 240V AC	120, 240V AC		
DC-DC Conv.		110V DC	110V DC		
Maximum Voltage	250V AC/DC				
Contact Thermal Current	3A (gold contact), 5A (silver contact)				
Contact Operating Current	Gold contact: 125V AC/0.1A, 30V DC/0.1A (resistive load) Silver contact: 125V AC/3A, 250V AC/2.0A (resistive load), 30V DC/2A, 125V DC/0.4A (resistive load)				
Control Unit Types	Pushbuttons: Square or round, illuminated or non-illuminated (momentary only)				
	Selector switches: 2-position or 3-position, maintained				
	Keylock switches: 2-position or 3-position, maintained				
Colors	Amber, Green, Red, Yellow, Blue (24V only), White, dual color Red/Green (24V only)		Amber, Green, Red, Yellow, Blue, White		
Lamp Type	Surface (Chip type) LED cluster		BA9S/13 (T3-1/4) bayonet base (1W)		
Available Window Sizes	30x30mm	30x60mm	30x90mm	60x30mm	60x60mm
Insulation Resistance	More than 100 MΩ by a 500V DC megger				
Degree of Protection	IP20 (for indoor use only), NEMA 1				
Dielectric Strength	2,000V AC direct (2,500V AC transformer, 1 minute)				
Operating Temperature	- 20° to +40°C; 15-90% relative humidity (- 10° to +40°C DC-DC converter)				
Material of Marking Plate and Color Screen	Polycarbonate				
Termination	M3.5 screw with captive sems plate (Check terminals: M3 screw with captive sems plate on applicable units)				
Maximum Size	Full voltage: 10 rows, 20 columns (200 windows) Transformer and DC/DC converter: 50 windows				
Recommended Wire Size	22-14 AWG x2 (2mm ² x 2)				
Approvals	Cert. No. B970213332375		UL Recognized File No. E68961		CSA Certified File No. LR48366

Specifications

Switches & Pilot Lights

Display Lights

Relays & Sockets

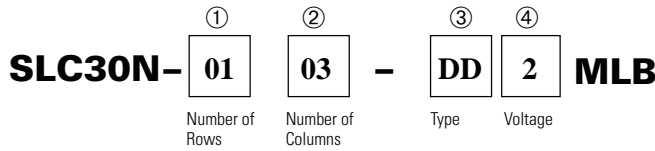
Timers

Terminal Blocks

Circuit Breakers

Part Numbers (assembled)

Part Number Guide



Switches & Pilot Lights

Display Lights

Relays & Sockets

Timers

Description			Code	Remark	
① Number of Rows			01, 02, 03, 04, 05, 06, 07, 08, 09, 10	10 row maximum (number of base unit (F-style) windows)	
② Number of Columns			01, 02, 03, 04, 05, 06, 07, 08, 09, 10 11, 12, 13, 14, 15, 16, 17, 18, 19, 20	20 column maximum (number of base unit (F-style) windows)	
③ Type	LED	Full voltage	Standard	DD	6V, 12V, 24V
			With check terminal	DHM	24V only
		2 color (Red/Green)	DW	24V only	
	Incandescent	Transformer		TD	120V, 240V AC
		DC-DC converter		CD	110V DC only
		Full voltage	DS	6V, 12V, 18V, 24V, 30V	
	Transformer	TS	120V, 240V		
④ Voltage	6V AC/DC		6	Type DD or DS	
	12V AC/DC		1	With Type DD, DHM or DS	
	18V AC/DC		8	Type DS only	
	24V AC/DC		2	Type DD, DHM, DW, or DS	
	30V AC/DC		3	Type DS only	
	120V AC		12	Type TD or TS	
	240V AC		24	Type TD or TS	
	110V DC		1	With Type CD	
	No lamp		99	Type DS only	

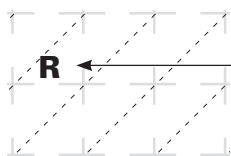
- Secondary voltage on transformers and DC-DC converters is 24V.
- To specify arrangement of varying window sizes and colors, use the order form on the next page.
- Drawing required.

SLC30-IPS Order Form Instructions

How to order a SLC30-IPS display light:

Example 1: Specifying a window color

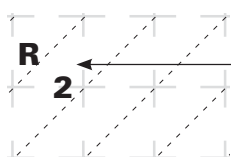
Enter the lens illumination color code in each square. Use the table below for color codes.



This example would place a Red window in this location

Example 2: Specifying a control unit

Enter the lens illumination color code in each square. Use the table below for color codes.



This example would place a Red, square, illuminated pushbutton with silver contacts in this location

For assistance with developing part numbers or completing the order form on the next page, contact IDEC technical support.

Color Codes

Color	Code
Amber	A
Green	G
Red	R
Blue	S
White	W
Yellow	Y
Black	B



Illumination not available in black.

Control Unit Codes

Type	Contact Type	
	Gold	Silver
Square illuminated pushbutton (DPDT)	1	2
Round illuminated pushbutton (DPDT)	3	4
Square pushbutton (DPDT)	5	6
Round pushbutton (DPDT)	7	8
Selector switch (2-position)	9	10
Selector switch (3-position)	11	12
Keylock selector switch (2-position)	13	14
Keylock selector switch (3-position)	15	16

Terminal Blocks

Circuit Breakers

Purchase Order No. _____ Date _____ Sheet of

Fill in Part Number Below:

Contact _____
Company _____
Phone # _____
Ship to _____
City/State/Zip _____

Number of Rows

Number of Columns

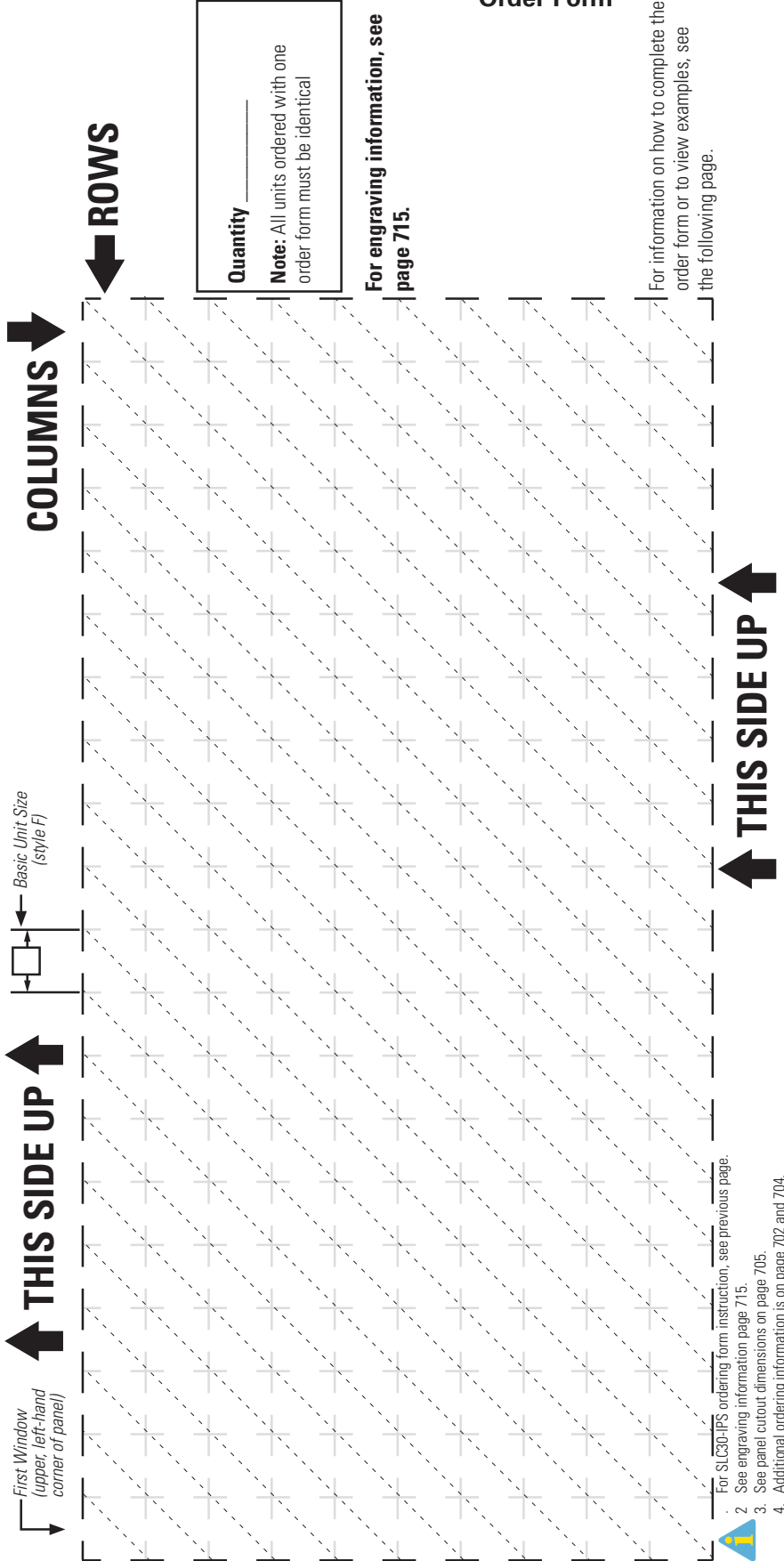
Type Code

Lamp Voltage

MLB Black Frame

Note: Convert all window styles to the style F (basic unit size).

Remarks:



Order Form

Switches & Pilot Lights

Display Lights

Relays & Sockets

Timers

Terminal Blocks

Circuit Breakers

How to complete SLC30N-IPS Series annunciator order form:

Switches & Pilot Lights

Display Lights

Relays & Sockets

Timers

Terminal Blocks

Circuit Breakers

1. Determine the type of switches you would like to include in the annunciator panel. For this example, we will include the following 3 types of switches:
 - i. Red Square illuminated pushbutton DPDT with silver contacts.
 - ii. Yellow round non-illuminated push button DPDT with silver contacts.
 - iii. 2 Position keylock selector switch with silver contacts.

2. From chart shown on page 702,

CODE DESCRIPTION

R/2 Red Square Illuminated Push Button DPDT with Silver Contacts.

Y/8 Yellow Round Non-illuminated Push Button DPDT with Silver contacts

14 2 Position Keylock Selector Switch with Silver contacts.

Enter the above mentioned CODE designation in the layout window (on the previous page), where you would like the respective switch to be installed.

3. Determine the type of 30x30mm illuminated windows you would like to include. For the current example, we will assume 3 F-Style (30x30mm) windows in Yellow, Green and White color. Specify each window color in the Order Form with appropriate designation: "Y" for Yellow, "G" for Green and "W" for White.

4. Define the boundaries of each window (F, V, H, L or G Style) and of complete annunciator panel by heavy border lines, as shown below.

	1	2	3	4	
1	Y	G	W		
2	R/2	Y/8	14		
3					
4					

5. Count the number of rows and columns in the SLC30N diagram. eg: For the current example, we have, Rows: 02 and Columns: 03.

SLC30N-0203

6. Determine the type of illumination for SLC30N annunciator. eg: For the current example, we use, "DD" for LED Full Voltage type illumination.

SLC30N-0203-DD

7. Determine the voltage code; for the current example, we will use 24V AC/DC for all illuminated windows and illuminated switches. This is designated by using the number "2".

SLC30N-0203-DD2

8. The complete part number would be:

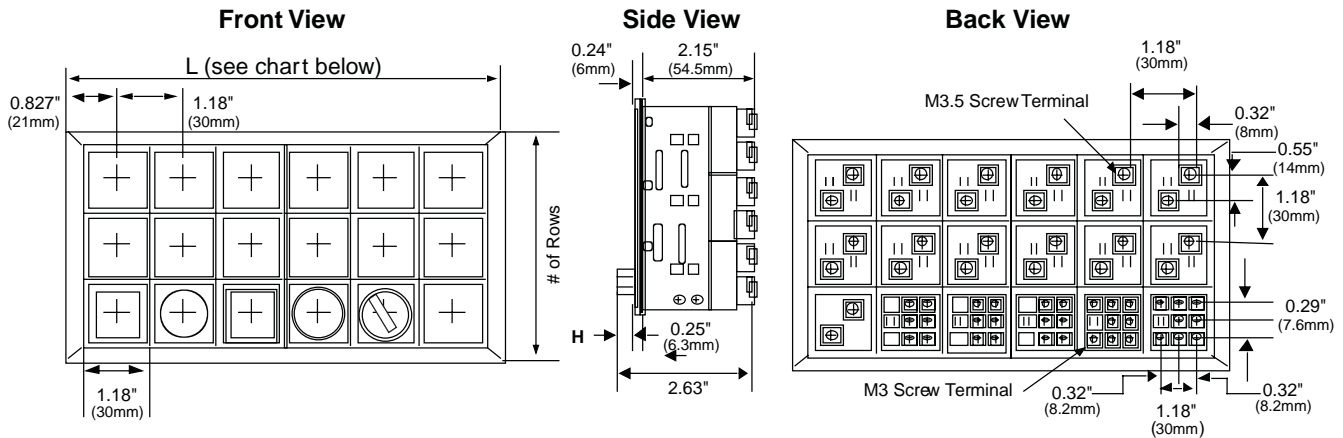
SLC30N-0203-DD2MLB

9. Now your part number is complete, please fill out contact information and fax or email the form to IDEC Customer Service for order processing. If you have any questions, please contact IDEC Technical Support.

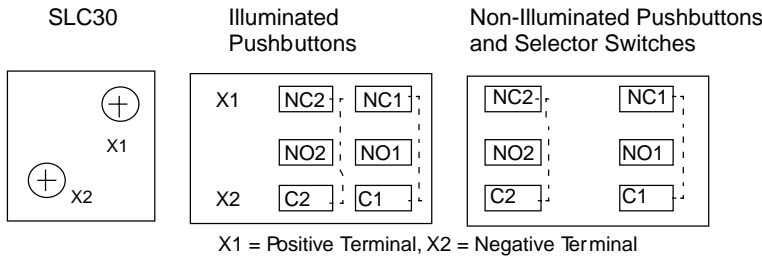


Note: Buttons and switches are only available in 'F' (30 x 30mm) window sizes.

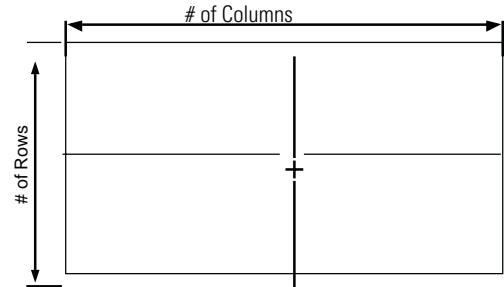
Dimensions



Bottom View



Panel Cut-Out Size



Panel Cut-Out Dimensions

No. of Rows	No. of Columns																							
	Overall Panel Width Dimension →																							
	Overall Height ↓	Cut-out Ht ↓	Cut-out Wd ↓	1	2	3	4	5	6	7	8	9	10	11	12	13	14	15	16	17	18	19	20	
1	1.654" (42mm)	1.378" (35mm)	1.378" (35mm)	1.654" (42mm)	2.853" (72mm)	3.740" (95mm)	4.016" (102mm)	5.197" (132mm)	6.378" (162mm)	7.559" (192mm)	8.740" (222mm)	9.921" (252mm)	11.102" (282mm)	12.283" (312mm)	13.465" (342mm)	14.646" (372mm)	15.827" (402mm)	17.008" (432mm)	18.189" (462mm)	19.370" (492mm)	20.551" (522mm)	21.732" (552mm)	22.913" (582mm)	24.094" (612mm)
2	2.853" (72mm)	2.559" (65mm)	2.559" (65mm)	2.853" (72mm)	4.016" (102mm)	5.197" (132mm)	6.378" (162mm)	7.559" (192mm)	8.740" (222mm)	9.921" (252mm)	11.102" (282mm)	12.283" (312mm)	13.465" (342mm)	14.646" (372mm)	15.827" (402mm)	17.008" (432mm)	18.189" (462mm)	19.370" (492mm)	20.551" (522mm)	21.732" (552mm)	22.913" (582mm)	24.094" (612mm)	25.275" (642mm)	26.456" (672mm)
3	4.016" (102mm)	3.740" (95mm)	3.740" (95mm)	4.016" (102mm)	5.197" (132mm)	6.378" (162mm)	7.559" (192mm)	8.740" (222mm)	9.921" (252mm)	11.102" (282mm)	12.283" (312mm)	13.465" (342mm)	14.646" (372mm)	15.827" (402mm)	17.008" (432mm)	18.189" (462mm)	19.370" (492mm)	20.551" (522mm)	21.732" (552mm)	22.913" (582mm)	24.094" (612mm)	25.275" (642mm)	26.456" (672mm)	27.637" (702mm)
4	5.197" (132mm)	4.921" (125mm)	4.921" (125mm)	5.197" (132mm)	6.378" (162mm)	7.559" (192mm)	8.740" (222mm)	9.921" (252mm)	11.102" (282mm)	12.283" (312mm)	13.465" (342mm)	14.646" (372mm)	15.827" (402mm)	17.008" (432mm)	18.189" (462mm)	19.370" (492mm)	20.551" (522mm)	21.732" (552mm)	22.913" (582mm)	24.094" (612mm)	25.275" (642mm)	26.456" (672mm)	27.637" (702mm)	28.818" (732mm)
5	6.378" (162mm)	6.102" (155mm)	6.102" (155mm)	6.378" (162mm)	7.559" (192mm)	8.740" (222mm)	9.921" (252mm)	11.102" (282mm)	12.283" (312mm)	13.465" (342mm)	14.646" (372mm)	15.827" (402mm)	17.008" (432mm)	18.189" (462mm)	19.370" (492mm)	20.551" (522mm)	21.732" (552mm)	22.913" (582mm)	24.094" (612mm)	25.275" (642mm)	26.456" (672mm)	27.637" (702mm)	28.818" (732mm)	30.000" (762mm)
6	7.559" (192mm)	7.283" (185mm)	7.283" (185mm)	7.559" (192mm)	8.740" (222mm)	9.921" (252mm)	11.102" (282mm)	12.283" (312mm)	13.465" (342mm)	14.646" (372mm)	15.827" (402mm)	17.008" (432mm)	18.189" (462mm)	19.370" (492mm)	20.551" (522mm)	21.732" (552mm)	22.913" (582mm)	24.094" (612mm)	25.275" (642mm)	26.456" (672mm)	27.637" (702mm)	28.818" (732mm)	30.000" (762mm)	31.181" (792mm)
7	8.740" (222mm)	8.465" (215mm)	8.465" (215mm)	8.740" (222mm)	9.921" (252mm)	11.102" (282mm)	12.283" (312mm)	13.465" (342mm)	14.646" (372mm)	15.827" (402mm)	17.008" (432mm)	18.189" (462mm)	19.370" (492mm)	20.551" (522mm)	21.732" (552mm)	22.913" (582mm)	24.094" (612mm)	25.275" (642mm)	26.456" (672mm)	27.637" (702mm)	28.818" (732mm)	30.000" (762mm)	31.181" (792mm)	32.362" (822mm)
8	9.921" (252mm)	9.646" (245mm)	9.646" (245mm)	9.921" (252mm)	11.102" (282mm)	12.283" (312mm)	13.465" (342mm)	14.646" (372mm)	15.827" (402mm)	17.008" (432mm)	18.189" (462mm)	19.370" (492mm)	20.551" (522mm)	21.732" (552mm)	22.913" (582mm)	24.094" (612mm)	25.275" (642mm)	26.456" (672mm)	27.637" (702mm)	28.818" (732mm)	30.000" (762mm)	31.181" (792mm)	32.362" (822mm)	33.543" (852mm)
9	11.102" (282mm)	10.827" (275mm)	10.827" (275mm)	11.102" (282mm)	12.283" (312mm)	13.465" (342mm)	14.646" (372mm)	15.827" (402mm)	17.008" (432mm)	18.189" (462mm)	19.370" (492mm)	20.551" (522mm)	21.732" (552mm)	22.913" (582mm)	24.094" (612mm)	25.275" (642mm)	26.456" (672mm)	27.637" (702mm)	28.818" (732mm)	30.000" (762mm)	31.181" (792mm)	32.362" (822mm)	33.543" (852mm)	34.724" (882mm)
10	12.283" (312mm)	12.008" (305mm)	12.008" (305mm)	12.283" (312mm)	13.465" (342mm)	14.646" (372mm)	15.827" (402mm)	17.008" (432mm)	18.189" (462mm)	19.370" (492mm)	20.551" (522mm)	21.732" (552mm)	22.913" (582mm)	24.094" (612mm)	25.275" (642mm)	26.456" (672mm)	27.637" (702mm)	28.818" (732mm)	30.000" (762mm)	31.181" (792mm)	32.362" (822mm)	33.543" (852mm)	34.724" (882mm)	35.905" (912mm)

Total Number of Windows (equivalent to style F—basic unit size)

Switches & Pilot Lights

Display Lights

Relays & Sockets

Timers

Terminal Blocks

Circuit Breakers

Dimensions, continued

JUMPERS

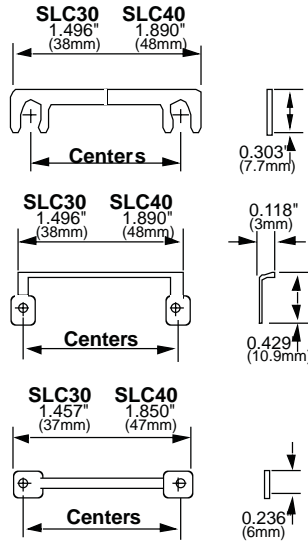
Thickness = 0.020" (0.5mm)

Centers:

SLC30 = 1.181" (30mm)

SLC40 = 1.575" (40mm)

± 0.004" (0.1mm)



Contact Operations

Selector Switches and Keylock Selector Switches

		Operator Position and Contact Operation (top view)				
		Position	Contacts	Left	Center	Right
Contact Operation	90° 2-position maintained 	DPDT 2-position		Left NO NC Right NO NC	—	Left NO NC Right NO NC
	45° 3-position maintained 	DPDT 3-position		Left NO NC Right NO NC	Left NO NC Right NO NC	Left NO NC Right NO NC

SLC40 Series – Panel Mounted Annunciators

SLC 40 Series Annunciators

SLC series panel mounted annunciators are an ideal alternative to mounting multiple pilot devices.

Cluster mounting simplifies panel cutouts and offers a variety of window combination sizes. Available with incandescent or Superbright LED illumination.

Key features of the SLC40 series include:

- Custom configurations with up to 105 windows
- Four window sizes based on a 40mm grid
- Non-reflective clear lenses that can be extended (angled) for better visibility when mounted in higher locations
- Incandescent or Superbright LED illumination
- Wide variety of input voltages



Switches & Pilot Lights

Display Lights

Relays & Sockets

Timers

Terminal Blocks

Circuit Breakers



Cert No.
B970213332375



UL Recognized
File No. E68961



CSA Certified
File No.
LR48366



Extended Windows



Style F
(40mm x 40mm)



Style H
(40mm x 80mm)



Style L
(40mm x 120mm)




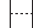





Style V
(80mm x 40mm)



Staggered Terminals:
increased safety
and serviceability

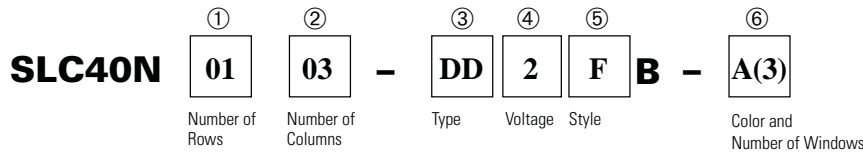
Specifications

Light Source		LED	Incandescent
Nominal Voltages	Full Voltage	6, 12, 24V AC/DC	6, 12, 18, 24, 30V AC/DC
	Transformer	120, 240V AC	120, 240V AC
	DC-DC Conv.	110V DC	—
Colors		Full voltage: Amber, Green, Red, Yellow, Blue (24V only), White, dual color Red/Green (24V only)	Amber, Green, Red, Yellow, Blue, White
Lamp Type		Surface (Chip type) LED cluster	E12/15 Screw terminal base (2W)
Current Consumption	24V AC/DC	40mA	0.08A
	12V AC/DC	80mA	0.16A
	6V AC/DC	160mA	0.33A
Available Window Sizes		<div style="display: flex; justify-content: space-around; align-items: center;"> <div style="text-align: center;"> <p>"F"</p>  40x40mm </div> <div style="text-align: center;"> <p>"H"</p>  40x80mm </div> <div style="text-align: center;"> <p>"L"</p>  40x120mm </div> <div style="text-align: center;"> <p>"V"</p>  80x40mm </div> </div>	
Insulation Resistance		100MW minimum (with 500V DC megger), between live and dead parts	
Degree of Protection		IP20 (for indoor use only), NEMA 1	
Dielectric Strength		Full voltage: 2,000V AC direct Adaptor/transformer 2,500V AC (1 minute)	
Operating Temperature		- 20° to +40°C; (45-85% relative humidity)	
Material of Marking Plate and Color Screen		Polycarbonate	
Termination		X1 and X2 terminals: M3.5 screw with a captive wire clamp washer (Check terminal: M3 screw on applicable models)	
Maximum Size		Full voltage: 7 rows, 15 columns (105 windows) Others: 50 windows maximum	
Recommended Wire Size		22-14 AWG x2 (2mm ² x 2)	
Approvals		<div style="display: flex; justify-content: space-between; align-items: flex-start;"> <div style="text-align: center;">  <p>ABS American Bureau of Shipping</p> </div> <div style="text-align: center;"> <p>Cert. No. B970213332375</p>  <p>UL Recognized File No. E68961</p> </div> <div style="text-align: center;">  <p>CSA Certified File No. LR48366</p> </div> </div>	



Part Numbers (assembled)

Part Number Guide



Part Numbers: Assembled Parts

Description		Code	Remark
① Number of Rows		01, 02, 03, 04, 05, 06, 07	7 row maximum (always expressed in terms of "F" size windows)
② Number of Columns		01, 02, 03, 04, 05, 06, 07, 08, 09, 10 11, 12, 13, 14, 15	15 column maximum (always expressed in terms of "F" size windows)
③ Type	LED	Full voltage	DD 6V, 12V, 24V
		Full voltage with check terminal	DHM 24V only
		Full voltage 2 color (Red/Green)	DW 24V only
		Transformer	TD 120V, 240V AC
		DC-DC converter	CD 110V DC only
		Incandescent	Full voltage
Full voltage with check terminal	DEM 6V, 12V, 18V, 24V, 30V		
Transformer	TS 120V, 240V		
④ Voltage	6V AC/DC	6	Type DD, DE, or DEM
	12V AC/DC	1	Type DD, DE or DEM
	18V AC/DC	8	Type DE or DEM
	24V AC/DC	2	Type DD, DHM, DW, DE, or DEM
	30V AC/DC	3	Type DE or DEM
	120V AC	12	Type TD or TE
	240V AC	24	Type TD or TE
	110V DC	1	Type CD
	No lamp	99	Type DE or DEM
⑤ Style	Square	F	40x40mm
	Horizontal rectangle	H	40x80mm
	Large horizontal rectangle	L	40x120mm
	Vertical rectangle	V	80x40mm
	Combination	M	Fill out order form on next page
⑥ Color (number of windows)	Amber	A	After each color, specify the number of windows Example... A(3), G(2), R(1)
	Green	G	
	Red	R	
	Blue	S (LED version: 24V only)	
	White	W	
	Yellow	Y	

- 1. Secondary voltage on transformers and DC-DC converters is 24V.
- 2. To specify the arrangement of varying window sizes and colors, use the order form on the next page.
- 3. Drawing required for any units ordered with engraving.
- 4. Incandescent models use color screen and marking plate, LED models use 2 marking plates (no color screen).

Switches & Pilot Lights

Display Lights

Relays & Sockets

Timers

Terminal Blocks

Circuit Breakers

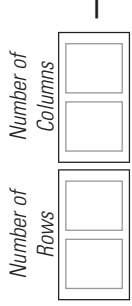
Purchase Order No. _____ Date _____

Sheet of

Fill in Part Number Below:

Contact _____
 Company _____
 Phone # _____
 Ship to _____

 City/State/Zip _____



Note: Convert all window styles to the style F (basic unit size).

A Number of Amber

G Number of Green

R Number of Red

S Number of Blue

W Number of White

Y Number of Yellow

B- Black Frame

Type Code

Operating Voltage

Style Code

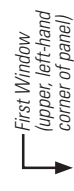
F = One Window
H = Two Windows Wide
L = Three Windows Wide
V = Two Windows High
M = Multiple Combination

Remarks:

ROWS

COLUMNS

THIS SIDE UP



Quantity _____

Note: All units ordered with one order form must be identical

For engraving information, see page 715.

For information on how to complete the order form or to view examples, see the following page.

Order Form



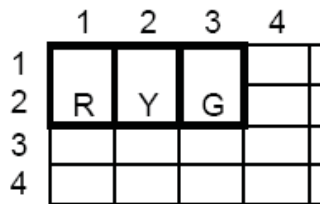
THIS SIDE UP

1. The part number guide is on the previous page.
 2. Panel cutout dimensions are on page 712.

How to complete SLC40N Series annunciator order form:

1. Draw the layout of SLC40N annunciator in the Order Form as per customer requirements. Define the boundaries of each window (F, V, H or L Style) and of complete annunciator panel by heavy border lines. Specify each window color with appropriate designation: eg: G for Green, R for Red, etc.

Example 1

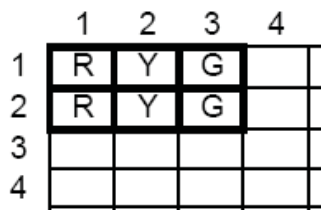


2. Count number of rows and columns. Eg: Example 1 has 02 rows and 03 columns.
SLC40N-0203
3. Determine the type of illumination required. Eg: "DD" for LED full voltage type illumination.
SLC40N-0203-DD
4. Determine the voltage code. Eg: "2" for 24V AC/DC, as in Example 1.
SLC40N-0203-DD2
5. Determine window style. Eg: "V" style windows as shown in Example 1.
SLC40N-0203-DD2VB*
*B denotes black frame.
6. Count the number of different colored windows. Eg: Example 1 has 1 Red V-style (80mmx40mm) window, 1 Yellow V-style window and 1 Green V-style window. Therefore to complete the part number for example 1, you would illustrate this by: R(1)Y(1)G(1)
SLC40N-0203-DD2VB-R(1)Y(1)G(1)
7. Now your part number is complete, please fill out contact information and fax or email the form to IDEC Customer Service for order processing. If you would like to get annunciator windows engraved, please see the examples on page 715 and send us your engraving information. If you have any questions please contact IDEC Technical Support.

Here are two more examples of your order form and the subsequent SLC40N layout you will receive.

Example 2

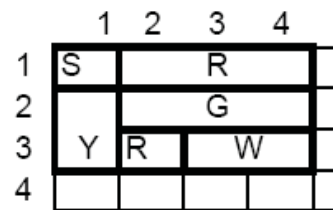
Rows=02; Columns= 03; F Style Windows (40x40mm); LED Full Voltage 24V AC/DC Illumination. Part number **SLC40N-0203-DD2FB-R(2)Y(2)G(2)**.



Example 3

Rows=3; Columns= 4; M = combination of various window styles (F, H, L and V Style); LED Full Voltage 24V AC/DC Illumination.

Part number **SLC40N-0304-DD2MB-R(1)Y(1)G(1)W(1)S(1)**.







Dimensions

Panel Cut-Out Dimensions

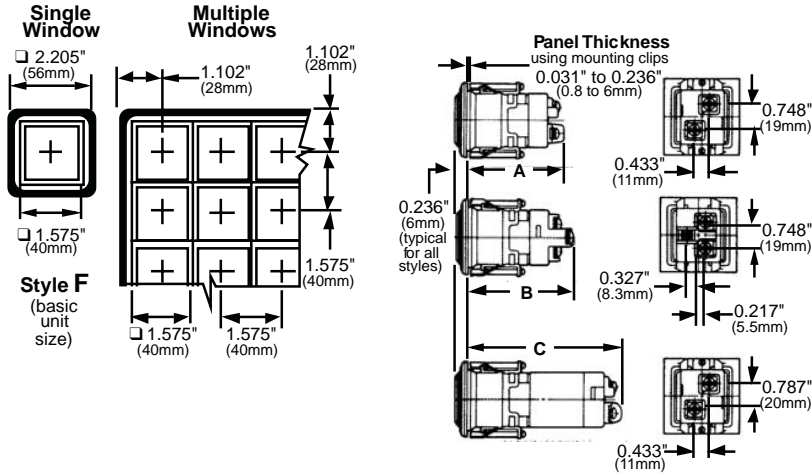
No. of Rows	No. of Columns		1	2	3	4	5	6	7	8	9	10	11	12	13	14	15
	Overall Panel Width Dimension →		2.205" (56mm)	3.780" (96mm)	5.354" (136mm)	6.929" (176mm)	8.504" (216mm)	10.079" (256mm)	11.654" (296mm)	13.228" (336mm)	14.804" (376mm)	16.378" (416mm)	17.953" (456mm)	19.528" (496mm)	21.102" (536mm)	22.677" (576mm)	24.252" (616mm)
	Overall Height ↓	Cut-out Ht ↓	Cut-out Wd ↓	1.772" (45mm)	3.346" (85mm)	4.921" (125mm)	6.496" (165mm)	8.071" (205mm)	9.646" (245mm)	11.220" (285mm)	12.795" (325mm)	14.370" (365mm)	15.945" (405mm)	17.520" (445mm)	19.094" (485mm)	20.669" (525mm)	22.244" (565mm)
1	2.205" (56mm)	1.772" (45mm)	1	2	3	4	5	6	7	8	9	10	11	12	13	14	15
2	3.780" (96mm)	3.346" (85mm)	2	4	6	8	10	12	14	16	18	20	22	24	26	28	30
3	5.354" (136mm)	4.921" (125mm)	3	6	9	12	15	18	21	24	27	30	33	36	39	42	45
4	6.929" (176mm)	6.496" (165mm)	4	8	12	16	20	24	28	32	36	40	44	48	52	56	60
5	8.504" (216mm)	8.071" (205mm)	5	10	15	20	25	30	35	40	45	50	55	60	65	70	75
6	10.079" (256mm)	9.646" (245mm)	6	12	18	24	30	36	42	48	54	60	66	72	78	84	90
7	11.654" (296mm)	11.220" (285mm)	7	14	21	28	35	42	49	56	63	70	77	84	91	98	105
			Total Number of Windows (equivalent to style F—basic unit size)														

1. The number of rows and columns refers to styles equivalent to style F (basic unit size).
 For styles H, L, V, and G, convert into style F (basic unit size) equivalents.
 Style H: 1 window high (1 row) x 2 windows wide (2 columns)
 Style V: 2 windows high (2 rows) x 1 window wide (1 column)
 Style L: 1 window high (1 row) x 3 windows wide (3 columns)
 Example: 18 windows = 3 windows high (3 rows) x 6 windows wide (6 columns)
 Overall dimension (H x W): 5.354" x 10.079" (136 x 256mm)
 Panel cut-out (H x W): 4.921" x 9.646" (125 x 245mm)
 Tolerance: +0.039" (1mm), -0
2. See page 709 for part numbering information.

Window Dimensions

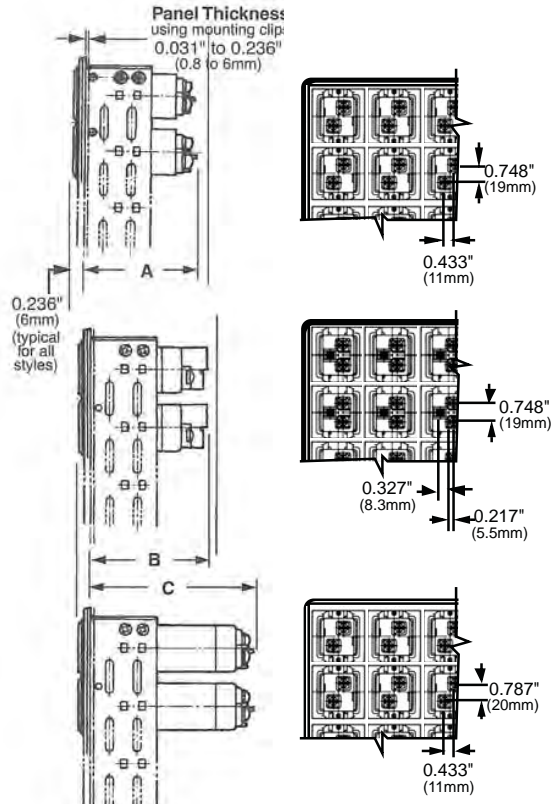
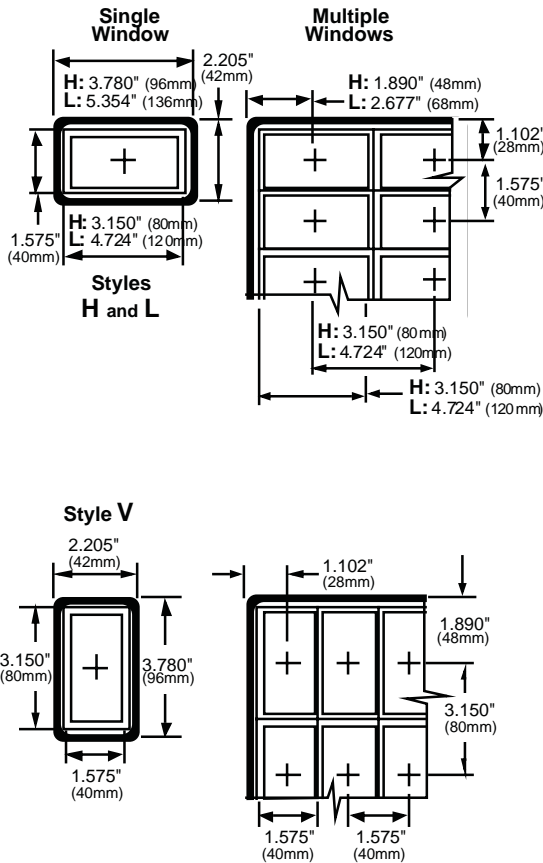
Window Style	Style F	Style H	Style L	Style V
Appearance				
Window Size	illumination Face (H x W)	1.575" x 1.575" (40 x 40mm)	1.575" x 3.150" (40 x 80mm)	1.575" x 4.724" (40 x 120mm)
	Lens (H x W)	1.457" x 1.457" (37 x 37mm)	1.457" x 3.031" (37 x 77mm)	1.457" x 4.606" (37 x 117mm)
	Marking Plate (H x W x t)	1.409" x 1.409" x 0.04" (35.8 x 35.8 x 1.0mm)	1.409" x 2.984" x 0.04" (35.8 x 75.8 x 1.0mm)	1.409" x 4.559" x 0.04" (35.8 x 115.8 x 1.0mm)
	Color Screen (H x W x t)	1.409" x 1.409" x 0.04" (35.8 x 35.8 x 1.0mm)	1.409" x 2.984" x 0.04" (35.8 x 75.8 x 1.0mm)	1.409" x 4.559" x 0.04" (35.8 x 115.8 x 1.0mm)
	Engraving Area	1.339" x 1.339" (34 x 34mm)	1.339" x 2.913" (34 x 55mm)	1.339" x 4.488" (34 x 85mm)

Dimensions, continued



Styles F, H, L, V :
 Single Window (right)
 Multiple Windows (below)

	Description	LED	Incandescent
A	Full voltage	2.618" (66.5mm)	2.539" (64.5mm)
B	Full voltage LED 2-color alternate	2.874" (73mm)	—
C	Transformer	3.327" (84.5mm)	—
	DC-DC converter	3.327" (84.5mm)	—
	Transformer	—	2.854" (72.5mm)
	Terminals (X1, X2)	M3.5 screw	
	Check terminal (C)	M3 screw	
	Same terminals, adjacent windows	1.575" (40mm) centers	



Switches & Pilot Lights

Display Lights

Relays & Sockets

Timers

Terminal Blocks

Circuit Breakers

Dimensions, continued

JUMPERS

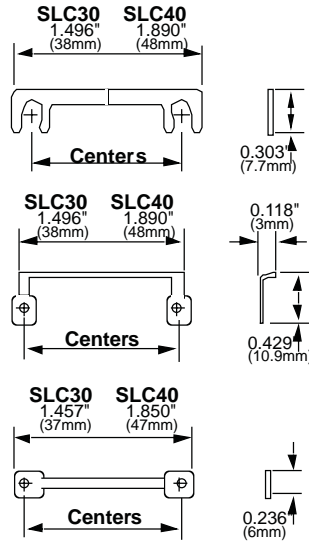
Thickness = 0.020" (0.5mm)

Centers:

SLC30 = 1.181" (30mm)

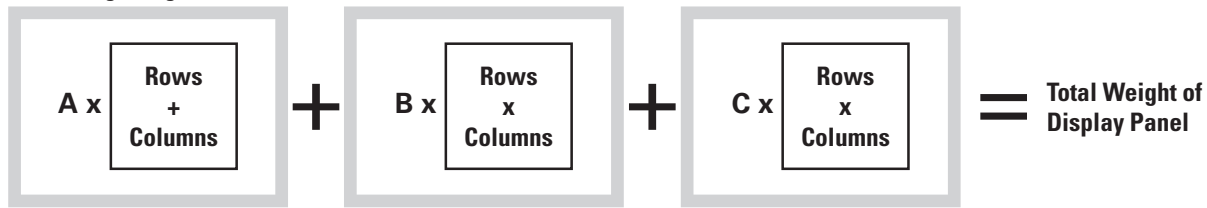
SLC40 = 1.575" (40mm)

± 0.004" (0.1mm)



Instructions

Estimating Weights



1. Make sure that the panel thickness is sufficient to support the total weight of the display panel(s).

A Frame Weight	B Housing Weight	Full Voltage	Transformer (incandescent)	AC Adapter (LED)	DC-DC Converter (LED only)
		C Lamp/LED Weight (includes lamp/LED)			
0.93oz (30g)	0.93oz (30g)	0.93oz (30g)	2.98oz (96g)		1.92oz (62g)

2. Weights are approximate.

Example:
 SLC40N-0304-DD2FB
 Total weight = A (rows + columns) + B (rows x columns) + C (rows x columns)
 Total weight = 0.93 (3+4) + 0.93 (3x4) + 0.93 (3x4) = 28.83 oz

Switches & Pilot Lights

Display Lights

Relays & Sockets

Timers

Terminal Blocks

Circuit Breakers

Engraving Information

Part Numbers: SLC30 Engraving Plates

Window Type	Part No.	Character Size	Maximum Characters per Line	Maximum Lines
F 30x30mm	SLC-3PF	7/32	7	3
		3/16	7	3
		5/32	9	4
		9/64	9	4
		1/8	10	4
H 30x60mm	SLC-3PH	5/16	8	2
		7/32	13	3
		5/32	17	4
L 30x90mm	SLC-3PL	5/16	14	2
		7/32	20	3
		5/32	26	4
V 60x30mm	SLC-3PV	5/16	4	4
		7/32	6	6
		5/32	8	8
G 60x60mm	SLC-3PG	5/16	9	4
		7/32	12	6
		5/32	16	8

Part Numbers SLC40 Engraving Plates

F 40x40mm	SLC-4PF	5/16	5	2
		7/32	8	4
		5/32	11	5
H 40x80mm	SLC-4PH	5/16	12	2
		7/32	17	4
		5/32	22	5
L 40x120mm	SLC-4PL	5/16	18	2
		7/32	26	4
		5/32	34	5
V 80x40mm	SLC-4PV	5/16	5	6
		7/32	8	7
		5/32	11	12

Engraving Size Samples

5/16" size

7/32" size

3/16" size

5/32" size

9/64" size

1/8" size

Engraving Size Samples

5/16" size

7/32" size

5/32" size

Engraving Example

Switches & Pilot Lights

Display Lights

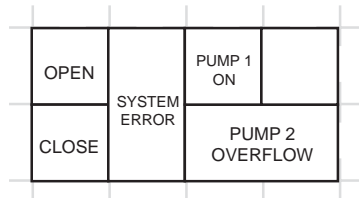
Engraving information can be provided in two ways:

Method 1

If you have created your own SLC annunciator layout and there is enough space to write engraving information, please print out a copy of the layout and write what you would like to be engraved in respective window. Attach this with the Order Form and send it to IDEC Customer Service for processing.



Engraving Layout



SLC Annunciator Layout

Method 2

If you are using the Order Form from the IDEC Automation Catalog and do not have enough space to list engraving information, you can number the top right corner of the window you would like to be engraved.



Relays & Sockets

Keeping engraving window type, character size, maximum character per line and maximum number of lines in perspective, create a table (see Engraving Table Example shown below). Please attach the Table along with SLC annunciator layout and send it to IDEC Customer Service for processing.

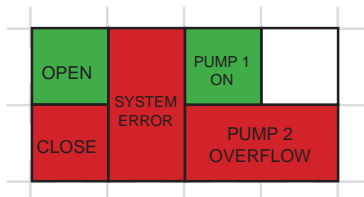
Engraving Table Example

Window	Font Size	Engrave
1	7/32"	"OPEN"
2	7/32"	"CLOSE"
3	7/32"	"SYSTEM" "ERROR"
4	3/16"	"PUMP 1" "ON"
5		NO ENGRAVING
6	5/32"	"PUMP 2" "OVERFLOW"

Timers

Terminal Blocks

Using method 1 or 2, the final engraved panel will look as below:



Final Engraved Panel

Circuit Breakers

Accessories

Description		Application	Part No.	Remarks	
Lenses		SLC30 incandescent, LED	F	SLC-3LF-(UL)	A lens is included with each window on assembled units
			H and V	SLC-3LH-(UL)	
			L	SLC-3LL-(UL)	
		SLC40 incandescent, LED	F	SLC-4LF-(UL)	
			H and V	SLC-42H-(UL)	
			L	SLC-4LL-(UL)	
Color Screens		SLC30 incandescent	F	SLC-3PF-*(UL)	Specify color code in place of asterisk (*): A = Amber C = Transparent G = Green (incandescent) R = Red S = Blue W = White Y = Yellow A color screen and marking plate are included with each window of assembled incandescent units
			H and V	SLC-3PH-*(UL)	
			L	SLC-3PL-*(UL)	
		SLC40 incandescent	F	SLC-4PF-*(UL)	
			H and V	SLC-4PH-*	
			L	SLC-4PL-*(UL)	
Marking Plates		SLC30 incandescent, LED	F	SLC-3PF-□-(UL)	Specify color code in place of square (□): C = Transparent (LED) W = White (incandescent) WL = White (LED) Two marking plates are included with each window of assembled LED units; LED units do not use color screens
			H and V	SLC-3PH-□-(UL)	
			L	SLC-3PL-□-(UL)	
		SLC40 incandescent, LED	F	SLC-4PF-□-(UL)	
			H and V	SLC-4PH-□-(UL)	
			L	SLC-4PL-□-(UL)	
Lens Frames		SLC30 incandescent only	F	SLC-3WF-B	A lens frame is included with each window on assembled units
			H	SLC-3WH-B	
			V	SLC-3WV-B	
			L	SLC-3WL-B	
			G	SLC-3WG-B	
		SLC30 LED only	F	SLC-3WF-BL	
			H	SLC-3WH-BL	
			V	SLC-3WV-BL	
			L	SLC-3WL-BL	
			G	SLC-3WG-BL	
		SLC40 incandescent only	F	SLC-4WF-B	
			H	SLC-4WH-B	
V	SLC-4WV-B				
L	SLC-4WL-B				
SLC40 LED only	F	SLC-4WF-BL			
	V	SLC-4WV-BL			
	L	SLC-4WL-BL			

Switches & Pilot Lights

Display Lights

Relays & Sockets

Timers

Terminal Blocks

Circuit Breakers



Switches & Pilot Lights

Display Lights

Relays & Sockets

Description	Application	Part No.	Remarks	
Incandescent Lamps  BA9S/13 (1W)  E12/15 (2W)	SLC30 incandescent only BA9S/13 lamp base	IS-6	6.3V, 1W; operating voltage: 5 to 6V AC/DC	
		IS-12	12V, 1W; operating voltage: 9 to 12V AC/DC	
		IS-24	24V, 1W; operating voltage: 18 to 24V AC/DC	
		IS-30	30V, 1W; operating voltage: 24 to 30V AC /DC	
	SLC40 incandescent only E12/15 lamp base	LE-6	6.3V, 2W; operating voltage: 5 to 6V AC/DC	
		LE-8	18V, 2W; operating voltage: 12 to 18V AC/DC	
		LE-2	24V, 2W; operating voltage: 18 to 24V AC/DC	
		LE-3	30V, 2W; operating voltage: 24 to 30V AC/DC	
LED Lamps 	SLC30 LED only 1-color	6V AC/DC	SLC-6SP*	
		12V AC/DC	SLC-1SP*	
		24V AC/DC	SLC-2SP*	
	SLC30 LED only 2-color: Red/Green	24V AC/DC	SLC-2SP-R/G	Specify color code in place of asterisk (*): A = Amber G = Green R = Red S = Blue (available in 24V version only) W = White Y = Yellow
		6V AC/DC	SLC-6EP*	
	SLC40 LED only 1-color	12V AC/DC	SLC-1EP*	
		24V AC/DC	SLC-2EP*	
	SLC40 LED only 2-color: Red/Green	24V AC/DC	SLC-2EP-R/G	





Replacement Parts

Full Voltage Models	Description	Type	Part Number		
SLC30 	Incandescent	Incandescent	DS	SLC-3DS	
	LED	Standard LED	DD	SLC-3DH	
		LED w/ Check Terminal	DHM	SLD-3DHM	
		Dual Color LED	DW	SLD-3DW	
SLC 40 	Incandescent	Incandescent	DE	SLC-4DE	
		Incandescent w/ Check Terminal	DEM	SLC-4DEM	
	LED	Standard LED	DD	SLC-4DH	
		LED w/ Check Terminal	DHM	SLC-4DHM	
		Dual Color LED	DW	SLC-4DHW	
Step Down Models	SLC30 	Incandescent	Incandescent xfrmr, 120V AC	TS12	SLC-3TS120
			Incandescent xfrmr, 240V AC	TS24	SLC-3TS240
		LED	LED xfrmr, 120V AC	TD12	SLC-3TP120
			LED xfrmr, 240V AC	TD24	SLC-3TP240
			LED DC-DC converter, 110V DC	CD1	SLC-3CP1
			SLC40 	Incandescent	Incandescent xfrmr, 120V AC
	Incandescent xfrmr, 240V AC	TE24			SLC-4TE240
	LED	LED xfrmr, 120V AC		TD12	SLC-4TP120
		LED xfrmr, 240V AC		TD24	SLC-4TP240
		LED DC-DC converter, 110V DC		CD1	SLC-4CP1

Timers

Terminal Blocks

Circuit Breakers

Description	Application	Part No.	Remarks
Lamp Holder Tool	SLC30 and SLC40 incandescent	OR-55	Rubber tool eases the removal of incandescent lamps
Tab Terminal Adaptors 	Used for wiring quick-connect terminals	TW-FA1	#250 tab terminal (W x H): 0.250" x 0.031" (6.35 x 0.8mm) single tab
Jumpers 	SLC30	X1 terminal (spade)	SLC-JP30
		X2 terminal (ring)	SLC-JP33
		C terminal (ring)	SLC-JP32
	SLC40	X1 terminal (spade)	SLC-JP40
		X2 terminal (ring)	SLC-JP41
		C terminal (ring)	SLC-JP42
Total number of jumpers equals total number of style F window equivalents			
Mounting Clip 	All SLCs	SLC-3K1	Mounting clips are included with the panel (see page 721 for details about quantity and placement).
Marking Strip		BNM2	White glossy paper with adhesive back (the dimensions are given below); the marking strip can be stuck to the terminal transformer or directly to the units for identification of the unit or circuit number; Sticker dimension (W x L): 0.197" x 393.701" (5 x 10,000mm)
Finger-Safe Terminal Covers 	Use with SLC30 types DD, TD, CD, DS and TS	SLC30-VL3	
	Use with all SLC30 types DHM and DW	SLC30-VL6	
	Use with SLC40 types DD, TD, CD, DE and TE	HW-VL3	
	Use with SLC40 types DHM, DW, and DEM	SLC40-VL6	

Switches & Pilot Lights

Display Lights

Relays & Sockets

Timers

Terminal Blocks

Circuit Breakers

Color Screen

(Incandescent only)

- Amber
- Blue
- Green
- Red
- White
- Yellow



Clear Non-Reflective Lens

Marking Plate

Standard: Transparent
Special: White (white LED only)

Lens Frame

Black

LED Housing

- Amber
- Blue
- Green
- Red
- White
- Yellow

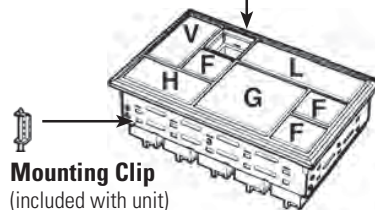


Incandescent Lamps

BA9S/13
Base (1W)



SLC30 Series



Cover Frame

Black

Mounting Clip
(included with unit)

SLC Series Installation Instructions

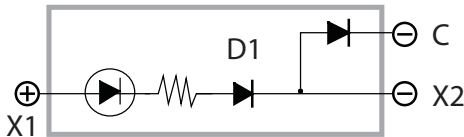
Installation Notes

1. Since lamps generate heat, it is recommended that ventilation be provided for cooling when more than ten lamps are lit continuously.
2. A lower number of windows is specified for multiple transformer and DC-DC converter units (50 maximum, instead of 200 as for full voltage only). This is done to avoid damage which may result from excessive heat generation when all lamps are lit simultaneously.
3. When multiple units are panel mounted, determine panel thickness so that the combined weight of all units and connecting wires can be supported.
4. Multiple units are not designed for continuous, simultaneous lighting of all lamps. However, it is possible to conduct a lamp test with all lamps lit simultaneously for a period of up to 40 minutes.
5. Before removing the LED unit, turn the power supply off.
6. DC-rated voltages for LED units are complete direct current voltages. Make sure to check the measuring instruments and compensate for any error in the measured, full-wave rectified or pulsating voltages.
7. To ensure brightness and long life of LED units, keep the DC power voltage within the operating voltage range.

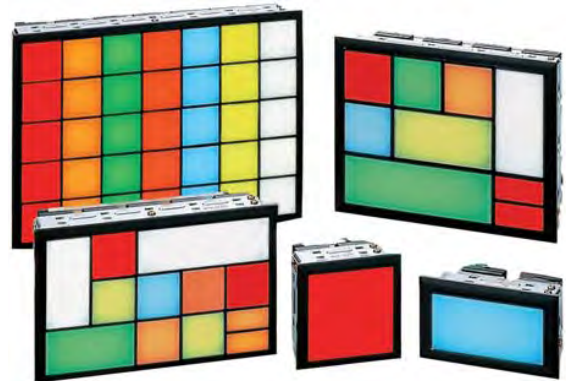
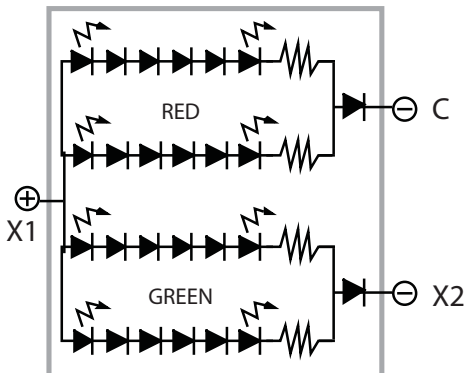
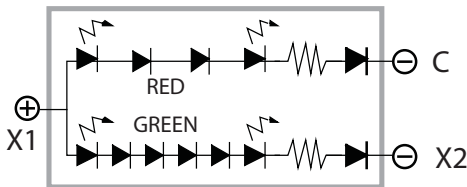
LED Operating Voltage Range: 24V AC/DC ± 10%

Terminal Arrangements (LED units)

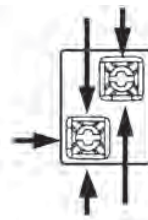
For full voltage (1- and 2-color) and DC-DC converter LED units, terminal X1 is positive and terminal X2 is negative. Make sure to observe polarity when wiring.



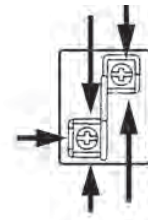
For 2-color alternate units, terminal X1 is positive, and terminals X2 and C (check terminal) are negative.



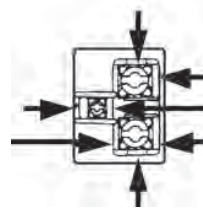
SLC30/SLC40 Full Voltage DC-DC Converter



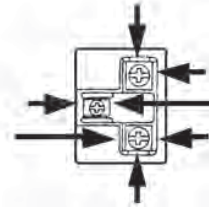
SLC30/SLC40 Transformer



SLC30/SLC40 Full Voltage with Check Terminal



SLC30/40 2-color LED (alternating)



SLC30



SLC40



Switches & Pilot Lights

Display Lights

Relays & Sockets

Timers

Terminal Blocks

Circuit Breakers

Installation Instructions, continued

Removing Windows

SLC30: To remove a window, insert the tip of a small screwdriver into the slot under the lens frame and gently press down on the screwdriver.

SLC40: To remove an extended window, pull on the top as if to extend the unit; then continue pulling until the unit comes out of the housing. All units are shipped with windows retracted. When transporting units, make sure windows are pushed in fully. After windows are installed, they can be extended as shown in Figure 1.



Figure 1: SLC40

Removing Lens, Color Screen, and Marking Plate

The lens has two retaining projections on the right and two on the left. To remove the lens, color screen, and marking plate from the lens frame, push open the lens frame with both hands as shown in Figure 2.



Figure 2: SLC30 and SLC40

The lens can also be removed by inserting a screwdriver into one of the sides with recesses. Since the lens has an orientation, be sure to insert the screwdriver in the direction shown in Figures 3 and 4.

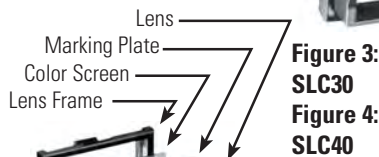


Figure 3: SLC30
Figure 4: SLC40

Removing Lens, Color Screen, and Marking

First, install the marking plate and color screen into the lens frame. To install the lens, insert its retaining projections into the recesses inside the lens

Figure 5: SLC30 and SLC40

frame, and press the lens into the lens frame as shown in Figure 5.



Figure 8: SLC40

SLC Series Installation Instructions, continued

Switches & Pilot Lights

Number of Mounting Clips Included

Columns	1 or 2		3 to 8		9 to 15	16 to 20*
Rows	Full Voltage	Others	Full Voltage	Others	All Types	All Types
1 or 2	2		4		6	8
3 to 6	4	6	6	8	8	10
7 to 10 (SLC30 only)	6	8	8		10	12



* SLC30 series only

Display Lights

Recommended Mounting Clip Positions

Columns	1 or 2		3 to 8		9 to 15	16 to 20*
Rows	Full Voltage	Others	Full Voltage	Others	All Types	All Types
1 or 2	2 Clips		4 Clips		6 Clips	8 Clips
3 to 6	4 Clips	6 Clips	6 Clips	8 Clips	8 Clips	10 Clips
7 to 10 (SLC30 only)	6 Clips	8 Clips	8 Clips		10 Clips	12 Clips

Relays & Sockets

Timers

Assembly Order for Lamp On/Lamp Off Colors

	Lamp On: Amber, Blue Green, Red, Yellow		Lamp On: White	Lamp On: Red/Green
	Lamp Off: Desired Color	Lamp Off: White	Lamp Off: White	Lamp Off: White
	Matte Surface (non-shiny)	Matte Surface (non-shiny)	Matte Surface (non-shiny)	Matte Surface (non-shiny)
	Lens Color Screen: Any Color	Lens Marking Plate: White	Lens Marking Plate: White	Lens Marking Plate: White
	Marking Plate: White	Color Screen: Any Color	Color Screen: White	Color Screen: White

Terminal Blocks

Circuit Breakers