

The **Digitec D3870** provides fast, accurate measurements even with very low frequent inputs (as low as one pulse per 100 seconds). All pulse or frequency inputs are easily displayed as rate. Easy setup with no programming or calculations required. Setup entries include time base, scale, offset.

The **D3870** features a 6-digit totalizer mode that can be independently scaled and displayed. The totalizer mode can accumulate totals for units or events (i.e. gallons, revolutions, pounds, etc.) since power-up or last reset.

Totalizer includes a selectable preset value and optional SSR 20 msec. output.

The D3870 is packaged in an anodized aluminum case with a NEMA 4X front cover. One (1) Form A relay 240 VAC @ 1A that can be used as an alarm output is included.

PROCESS APPLICATIONS

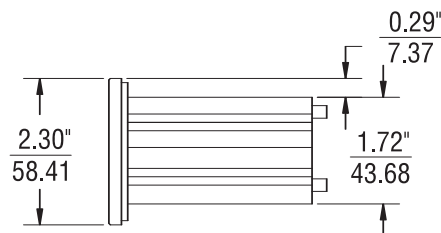
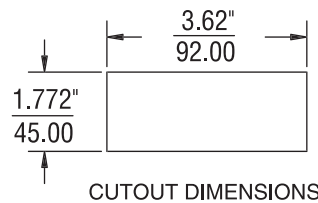
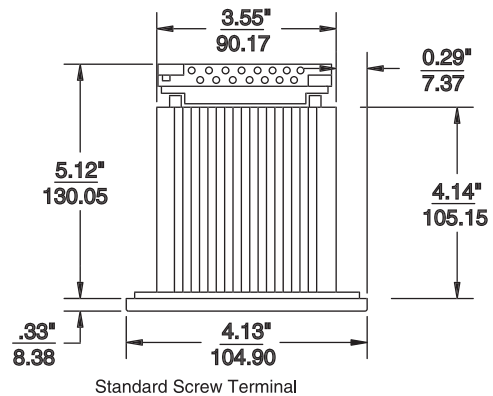
- Level
- Pressure
- Flow

6-Digit Frequency Input Indicator/Totalizer



SPECIFICATIONS	
INPUT RESPONSE	0.0005 to 99,999 Hz
DISPLAY RANGE	User programmable decimal, scale factors and insignificant zero blanking yield a display range of 0.00001 to 999999.
PROTECTION	±200 V peak
SENSITIVITY	TTL, CMOS or contact compatible
PULSE WIDTH	5 microseconds minimum
TRIGGER MODE	Negative edge of input pulse
INPUT IMPEDANCE	12kΩ
FILTER/DEBOUNCE	Front panel programmable digital filter
WEIGHT	0.84 lbs.

DIMENSIONS (INCHES/MILLIMETERS)



MODEL NUMBER >>>>>>	3870	
	Options	choose any combination
3 Form-C 5 amp relays activate when programmable high and low limits are exceeded. Permits on-off control of external circuitry, or alarm status communication with other equipment		C
Input amplifier, 30 mV peak input at 5 Hz to 99,999 Hz		G
4 analog outputs, 0-5 VDC, ±5 VDC or 4-20 mA. Accuracy is 0.35% of operating range. Output signals are assignable to rate and total.		H
230 VAC Power		S
RS232C serial data communications interface at 9600 Baud rate		T

Ratemeter/Totalizer/Barch Controller // D3870