

Digital Controllers



TIMING

PROTECTION

CONTROL



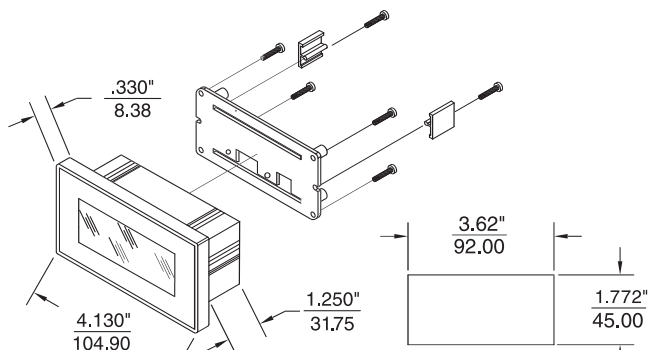
3-1/2 Digit Loop-Powered Meter

- Powered by the current being measured
- 3-1/2 Digit full-size LCD 0.6" high
- Small size: 2.3" x 4.13" x 1.25"
- NEMA 4 Front Panel
- 1/8 DIN Anodized Aluminum Case
- Selectable decimal point
- Two (2) wires for total hook-up
- Short depth case (1.25")

ORDERING INFORMATION

MODEL NUMBER	DESCRIPTION
D2040	3-1/2 Digit Loop Powered Meter
OPTIONAL ACCESSORIES	
9801	Nema 4X Wall Mounted Enclosure
9802	Nema 4X Wall mounted Enclosure -double cutout

DIMENSIONS (INCHES/MILLIMETERS)



The **Digitec D2040** loop-powered display is a 3-1/2 Digit, short depth LCD display. The display can indicate level, % flow, or pressure in a 4-20 mA process loop.

The D2040 also is well suited to be used as a remote display. User adjustable scale (gain), offset and decimal point allow immediate calibration of measurement being displayed.

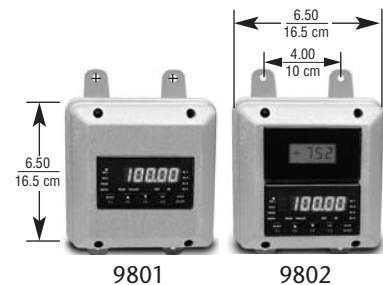
PROCESS APPLICATIONS

- Level
- Pressure
- Flow

SPECIFICATIONS

INPUTS	Current loop measurement of 4-20mA and 10-50mA	
DISPLAY RANGE	.000 to ±1.999	
	0.00 to ±19.99	
	00.0 to ±199.9	
	000 to ±1999	
ACCURACY	±0.1% rdg. ±1 digit	
POWER REQUIREMENTS	Loop powered; voltage drop less than 5.0V with a 20mA input	
RESPONSE TIME	Under 1 sec., typically	
DISPLAY	0.6" LCD Digits	
DISPLAY UPDATE RATE	2.5 updates per second	
DECIMAL POINTS	1.XXX	
	1X.XX set by internal	
	1XX.X jumper	
POLARITY	Negative Count	minus sign at left.
	Positive Count	plus sign at left.
RECALIBRATION SCHEDULE	1 year within rated accuracy	
HUMIDITY	80% RH @ 40° C max.; 70% RH @ 60° C max.	
FRONT PANEL	NEMA 4	
TEMPERATURE RATING	Storage	-4° to 158°F (-20°C to 70°C)
SIZE	2.3"H x 4.13"W x 1.25"D Panel Cutout: 3.55"W x 1.72"H	
WEIGHT	Approx. 2 oz.	
	NEMA 4X Wall Mounted Enclosure	

OPTIONAL ACCESSORIES



The **Digitec D2080** is a *loop powered* indicator that measures, displays and totalizes the current in a 4-20 mA circuit. Although the instrument is loop powered, it only produces <3.5 V drop allowing it to be used in series with almost any 4-20 mA application. Modular accessories enable the user to select the lowest cost configuration while retaining full interchangeability between instruments.

Optional high alarms provide two isolated open drain outputs which may be independently programmed with a high trip point. When an alarm is tripped, the alarm and current reading alternate on the indicator.

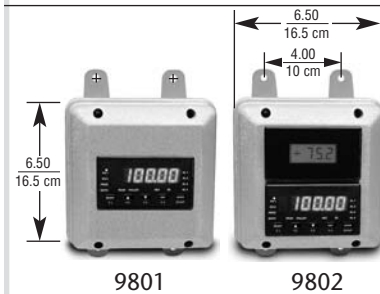


4-1/2 Digit Loop-Powered Meter

SPECIFICATIONS

INPUTS	4-20 mA	
OUTPUT (OPEN DRAIN)	25 VDC @ 150 mA; Isolated to 500 VDC	
DISPLAY RANGE	Decimal Point Programmable 0 - 19.999	
ACCURACY	± 0.02% ±1 count	
SQUARE ROOT	± .2%	
DISPLAY	4-1/2 Digit, .5" LCD	
LOW FLOWS ADJUSTABLE	22% of Full Scale	
ALARM STATUS	Alternating Display — Between the process reading and the high alarms (AL1 or AL2)	
MAXIMUM VOLTAGE DROP	<3.5V @ 20 mA	
FRONT PANEL	NEMA 4X	
TEMPERATURES RATING	Operating	32° to 122°F (0° to 50°C)
SIZE	2.3"H x 4.13"W x 1.25"D Panel Cutout: 3.55"W x 1.72"H	
WEIGHT	Approx. 2 oz.	

OPTIONAL ACCESSORIES



9801

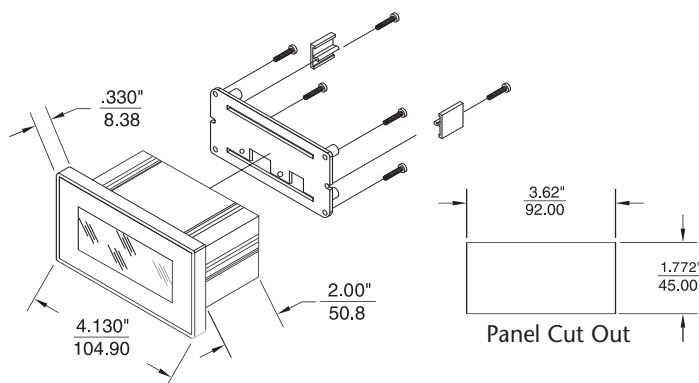
9802

- 4-1/2 Digit Full Size LCD
 - NEMA 4X Front Panel
 - 1/8 DIN Anodized Aluminum Case
 - Short Depth Case (2-1/4")
 - Front Panel Menu Access
 - 2 Isolated Open Drain Alarm Outputs
 - Square Root Extractions
- PROCESS APPLICATIONS
- Level
 - Pressure
 - Flow

ORDERING INFORMATION

MODEL NUMBER	DESCRIPTION
D2080	4-1/2 Digit Loop Powered Meter with Totalizer
D2080C	2080 with Open Drain (Alarms)
OPTIONAL ACCESSORIES	
9801	Nema 4X Wall Mounted Enclosure
9802	Nema 4X Wall mounted Enclosure -double cutout

DIMENSIONS (INCHES/MILLIMETERS)





The **Digitec D2090** 3-1/2 Digit, loop-powered indicator is perfect for process applications where no power is available, a NEMA 4X enclosure is needed and cost is a consideration.

Designed for easy installation, the two wire connection is all that is required to power and operate the unit. The D2090 can be wall or panel mounted.

The **Digitec D2095** 4-1/2 Digit, loop-powered indicator is perfect for process applications where no power is available, and a NEMA 4X enclosure is needed. Designed for easy installation, the two wire connection is all that is required to power and operate the unit. The D2095 can be wall or panel mounted. Two isolated open drain alarms add functionality on an as-needed basis.

Loop Powered Indicator in NEMA 4X Enclosure

Loop Powered Indicators // D2090/D2095 Series

- NEMA 4X Enclosure
- Easy Calibration and Installation
- 3-1/2 and 4-1/2 Digit Versions
- 4-20 mA or 10-50 mA inputs
- D2095: Optional alarm outputs
- Remote Display

PROCESS APPLICATIONS

- Flow
- Level
- Pressure
- Temperature

ORDERING INFORMATION

MODEL NUMBER	DESCRIPTION
D2090	3-1/2 Digit Loop Powered Indicator in NEMA 4X Enclosure
D2095	4-1/2 Digit Loop Powered Indicator in NEMA 4X Enclosure
D2095C	2095 with Open Drain

SPECIFICATIONS—D2090

INPUTS	4-20 mA or 10-50 mA	
DISPLAY	0.5" high LCD, 3-1/2 Digit with user selectable decimal point.	
DISPLAY RANGE	0 - 1999	
DECIMAL POINTS	Set by internal jumper	
UPDATE RATE	2.5 Updates/second	
CALIBRATION	2-step zero and span adjustment	
ACCURACY	±0.1% reading, ±1 Digit	
CONNECTIONS	Removable screw terminal block included	
VOLTAGE DROP	<5.0 VDC @ 20 mA	
TEMPERATURE RATING	Operating	32° to 122°F (0° to 50°C)
WEIGHT	4 oz.	

SPECIFICATIONS—D2095

INPUTS	4-20 mA	
OUTPUT (OPEN DRAIN)	25 VDC @ 150 mA; Isolated to 500 VDC	
DISPLAY	0.5" high LCD, 4-1/2 Digit with programmable decimal point.	
DISPLAY RANGE	0 - 19999	
DECIMAL POINTS	Menu Selected	
UPDATE RATE	2.5 Updates/second	
CALIBRATION	Fully Programmable	
ACCURACY	±0.2% reading, ±1 Digit	
CONNECTIONS	Removable screw terminal block included	
VOLTAGE DROP	<3.5 VDC @ 20 mA	
TEMPERATURE RATING	Operating	32° to 122°F (0° to 50°C)
WEIGHT	5 oz.	

The **Digitec D3890** is a 3-1/2 Digit loop-powered display mounted in a UL listed and FM approved NEMA 7 housing. This model is ideal for locations in hazardous areas (Class I, Group B, C, D and Class II, Group E, F, G) where no power is available.

The **Digitec D3895** is a 4-1/2 Digit loop-powered display mounted in a UL listed and FM approved NEMA 7 housing. This model is ideal for locations in hazardous areas (Class I, Group B, C, D and Class II, Group E, F, and G) where no power is available.



SPECIFICATIONS—D3890

INPUTS	4-20 mA or 10-50 mA	
DISPLAY	0.5" high LCD, 3-1/2 Digit with user selectable decimal point.	
DISPLAY RANGE	0 - 1999	
DECIMAL POINTS	Set by internal jumper	
UPDATE RATE	2.5 Updates/second	
CALIBRATION	2-step zero and span adjustment	
ACCURACY	±0.1% reading, ±1 Digit	
CONNECTIONS	Removable screw terminal block included	
VOLTAGE DROP	<5.0 VDC @ 20 mA	
TEMPERATURE RATING	Operating	32° to 122°F (0° to 50°C)
WEIGHT	2.9 lbs.	

SPECIFICATIONS—D3895

INPUTS	4-20 mA	
DISPLAY	0.5" high LCD, 4-1/2 Digit with programmable decimal point.	
DISPLAY RANGE	0 - 19999	
DECIMAL POINTS	Menu Selected	
UPDATE RATE	2.5 Updates/second	
CALIBRATION	Fully programmable scaling	
ACCURACY	±0.2% reading, ±1 Digit	
CONNECTIONS	Removable screw terminal block included	
VOLTAGE DROP	<3.5 VDC @ 20 mA	
TEMPERATURE RATING	Operating	32° to 122°F (0° to 50°C)
WEIGHT	2.9 lbs.	

- Class 1, Groups B, C & D
Class 2, Groups E, F & G Housing
- Easy Calibration and Installation
- Powered by 4-20 mA Loop
- D3895: Square Root Extractions

PROCESS APPLICATIONS

- Level
- Pressure
- Flow

ORDERING INFORMATION

MODEL NUMBER	DESCRIPTION
D3890	3-1/2 Digit Loop Powered Indicator in Explosion-Proof NEMA 7 Housing
D3895	4-1/2 Digit Loop Powered Indicator in Explosion-Proof NEMA 7 Housing