

ATC HYT Series Tower Lights provide a 360° visual status signal of a machine or process that requires monitoring. The tower lights are available in one (1) through five (5) lamp models and can be supplied in steady light or flashing light with or without buzzer capability.

Each lamp in an assembly and can be wired to perform individually, based on the users indication needs. As an example, you can wire a three lamp unit (HYTWB) to have the Green lens as a steady light, the Amber lens to be a flashing light, and the Red lens to be a flashing light with buzzer. A typical application for an indicator light wired in this manner would be a gravity feed bin that supplies compound to a press. The Green light would be ON steady when the bin was full to half empty, from half empty to empty the Amber light would flash, at empty the Red light would flash and the buzzer would sound.

ATC indicating tower lights are complete assemblies that include bulbs, pole, 90° mounting bracket and all hardware necessary for installation. The lights are ideal for indicating operating status in a wide range of process, assembly and other automatic equipment applications.

<i>MODEL NUMBER >>>>>></i>	110
Model Number	
Steady Light	HYT
Steady Light or Flashing Light	HYTW
Steady Light with Buzzer	HYTB
Steady Light or Flashing Light with Buzzer	HYTWB
Voltage	
110 VAC	110
(12 VDC, 24 VDC, 24 VAC, 220 VAC models available on special order)	
Number of Lights	
From Top to Bottom Standard lens sequence is:	1
R=Red	2
A=Amber	3
G=Green	4
B=Blue	5
C=Clear	

When ordering a status indicator tower light, the part number must be developed.

1. Determine if you require a steady light, flashing light capability or flashing light and buzzer capability.
2. Select operating voltage.
3. Number of lights.
4. Indicate lens color sequence.

STANDARD LENS SEQUENCE (FROM TOP TO BASE)

- 1 Light: Red
- 2 Lights: Red, Amber
- 3 Lights: Red, Amber, Green
- 4 Lights: Red, Amber, Green, Blue
- 5 Lights: Red, Amber, Green, Blue, Clear

STANDARD LENS SEQUENCE ORDERING: If you require a 110VAC, 3-light unit with flashing lamp and alarm capability, with a standard lens sequence, it would be ordered as follows: HYTWB-110-3

SPECIAL LENS SEQUENCE ORDERING: If you require a 110VAC, 3-light unit with flashing lamp and alarm capability, with a Green, Clear, Blue lens sequence, it would be ordered as follows: HYTWB-110-3GCB
ACCESSORIES
 0353-260-27-00: Surface mounting bracket kit
 0305-265-61-70: Retrofit kit

For replacement bulbs, see page 143

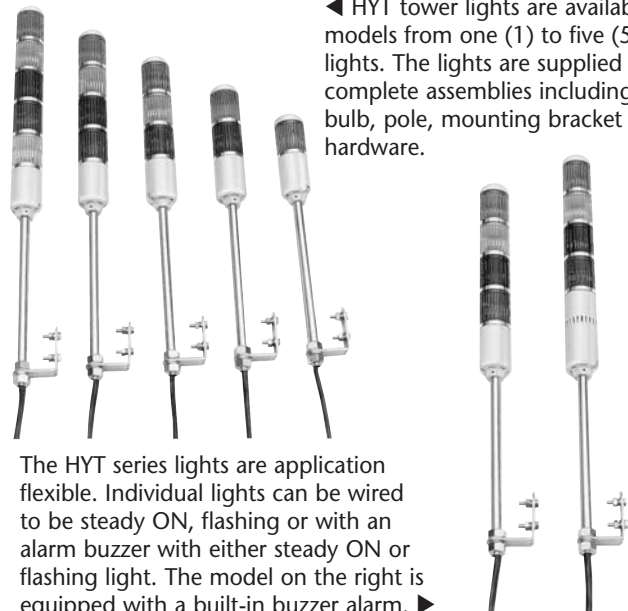


Status Indicator Tower Lights

SPECIFICATIONS

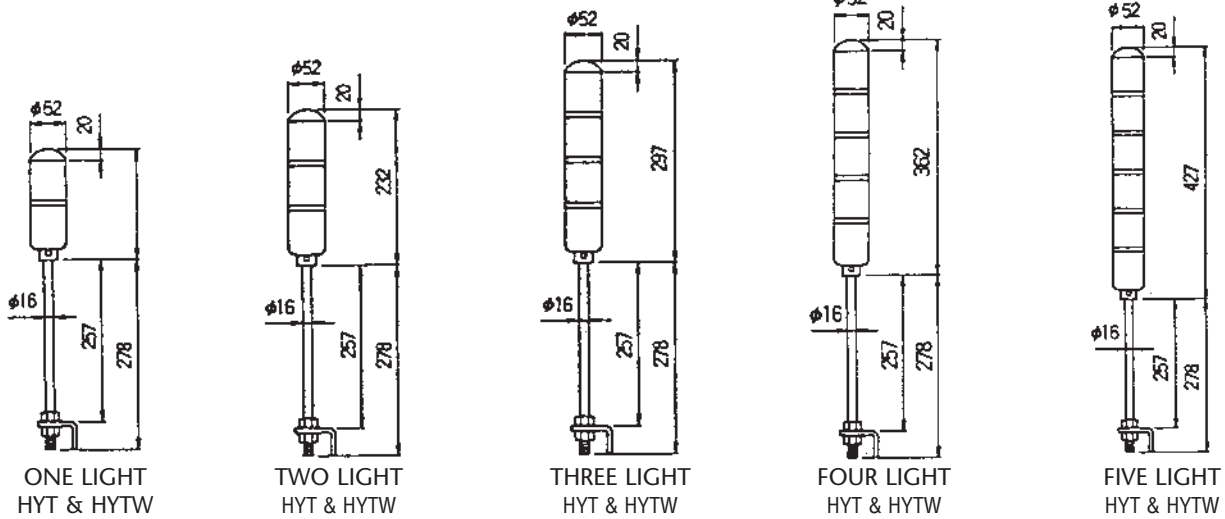
OPERATING VOLTAGE	110VAC, 24VAC, 50/60 Hz.
VOLTAGE	12VDC, 220VAC (Special Order)
NOMINAL POWER CONSUMPTION	1 Light Models — 0.07A
	2 Light Models — 0.14A
	3 Light Models — 0.20A
	4 Light Models — 0.27A
	5 Light Models — 0.33A
BULB RATINGS	5W
BULB FLASH RATE	60 Per Minute
RECOMMENDED SWITCH RATING	AC Models 1A DC Models 2A
MOUNTING	Horizontal or Vertical 90° Angle Bracket and Mounting Hardware Supplied
TERMINATION	Wire Leads
BUZZER DECIBEL	60db
WEIGHT	1.7 lbs. to 2.2 lbs.

◀ HYT tower lights are available in models from one (1) to five (5) lights. The lights are supplied as complete assemblies including; bulb, pole, mounting bracket & hardware.



The HYT series lights are application flexible. Individual lights can be wired to be steady ON, flashing or with an alarm buzzer with either steady ON or flashing light. The model on the right is equipped with a built-in buzzer alarm. ▶

DIMENSIONS (MILLIMETERS)



For HYTWB models add 61mm to the overall height dimension.

MOUNTING & POLE LENGTH OPTIONS

All light models within the HYT product family are supplied with a 257mm (approximately 10 inches) pole and an "L" shaped mounting bracket, including nut and bolt hardware.

Since some installations have other mounting requirements, several optional alternative mounting methods are available.

For replacement bulbs, see page 143




MOUNTING OPTIONS

The mounting options shown below provide installation flexibility which helps the user tailor an HYT indicating light to fit their requirements. Since the standard length pole and "L" shaped bracket satisfy most requirements,

the mounting options on this page must be ordered as a separate item on an order. The part number required for ordering is listed on the following chart.

Part Number	Description
HY-ST009	31.5 Inch Long Tower Light Pole
HY-ST011	Molded Plastic Base
ST-012	Cast Metal Base

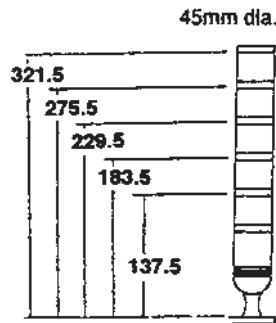
HYT FAMILY MOUNTING OPTIONS

MODEL ST-012	MODEL HY-ST011	MODEL HY-ST009
 <p>Metal Mounting Base</p>	 <p>Plastic Mounting Base</p>	 <p>31.5 Inch Light Pole</p>
<p>ST-012 Metal Mounting Base.</p> <p>This die cast metal base allows all HYT family lights to be bottom mounted. ST-012 replaces the standard "L" bracket at the base of the light.</p>	<p>HY-ST011 Plastic Mounting Base.</p> <p>This mounting base is used when you want to eliminate the height provided by the 10" pole. The HY-ST011 base is equipped with a brass sleeve that fits into the light column base and the pole is eliminated.</p>	<p>HY-ST009 31.5 Inch Light Pole.</p> <p>This light pole allows the user to increase the height of HYT family lights up to an additional 20 inches. The pole can be shortened or cut-off on the non-threaded end to provide optimum length.</p>

ATC T45 Series steady ON lights are less than two (2) inches in diameter and ideal for applications where compact cost effective indicating lights are required. They are available in base or pole mounting, one through five light models, non-flashing only.

DIMENSIONS (MILLIMETERS)

NOTE: The dimensions shown are for T45 BASE MOUNT models. For pole mounted models add 198mm to the overall height.



45mm Diameter Steady Indicating Lights



ORDERING INFORMATION

MODEL NUMBER	LAMP DIAMETER	NO. OF LIGHTS	LIGHT MODE	MOUNTING
T45BS-110-1	45mm	1	Steady	Base
T45BS-110-2	45mm	2	Steady	Base
T45BS-110-3	45mm	3	Steady	Base
T45BS-110-4	45mm	4	Steady	Base
T45BS-110-5	45mm	5	Steady	Base
T45PS-110-1	45mm	1	Steady	Pole
T45PS-110-2	45mm	2	Steady	Pole
T45PS-110-3	45mm	3	Steady	Pole
T45PS-110-4	45mm	4	Steady	Pole
T45PS-110-5	45mm	5	Steady	Pole

*For 24VDC Models: Substitute 24DC for 110 in Model Number.

For replacement bulbs, see chart below.

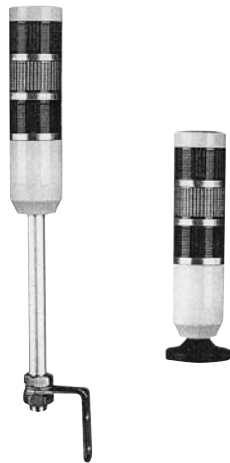
- Steady Illuminating Lights
- One Through Five Light Models
- Pole or Base Mounting
- Replaceable Bulbs

SPECIFICATIONS

OPERATING VOLTAGE	110 VAC, 50/60 Hz.
BULB RATINGS	24 VDC
RECOMMENDED SWITCH RATING	5 Watt
TERMINATION	1A
MOUNTING	Wire Leads
WEIGHT	Pole With Base or Base
	0.7 lbs. to 1.7 lbs.

REPLACEMENT BULBS

LIGHTS	12VDC	24VDC	24VAC	110VAC	220VAC
HYT Models	ST-BLB 12-B	ST-BLB 24-B	ST-BLB 24-B	ST-BLB 110-B5	ST-BLB 220-B5
T45 Models	T45 BULB-12-5W	T45 BULB-24-5W	T45 BULB 24-5W	T45 BULB-110-5W	T45 BULB-240-5W
T56 Models	N/A	T56 BULB-24-8W	N/A	T56 BULB-110-8W	N/A
TF Models	ST-BLB 12-B	ST-BLB 24-B	N/A	ST-BLB 12-B	ST-BLB 12-B
TP Models	ST-BLB 12-B	ST-BLB 24-B	N/A	ST-BLB 12-B	ST-BLB 12-B
TR Models	ST-BLB 12-B	ST-BLB 24-B	N/A	ST-BLB 12-B	ST-BLB 12-B
TR125 Models	N/A	N/A	N/A	TR125 BULB-110	N/A
TX Models	ST-BLB 12-B	ST-BLB 24-B	N/A	ST-BLB 12-B	ST-BLB 12-B



Model TL tower lights are a unique design based on the refraction principal. Light from the LEDs passes through computer designed dual prism which refracts the beams. The light does not bounce off or reflect off a polished surface. As a result, TL lights provide a more even beam disbursement with few if any "hot" spots. After passing through the prisms, the light is dispersed or diffused by the lens which is vertically ribbed on the inside and horizontally ribbed on the outside. The result is not only a bright easily visible light but one with a uniform illumination spread throughout the lens.

The lights are available in one (1) through five (5) lamp models and can be supplied in steady or flashing light and steady light with a powerful 80dB/M buzzer. Buzzer only models are available in both pole and base mounting configurations. The TL family is very versatile since each lamp in an assembly can be wired to perform individually based on the user's needs. As an example, a three light with buzzer model (TLSB-XX-3) can be wired to have only the buzzer sound when the red lamp is on and the buzzer silent when the green and amber lights are powered.

Model TL lights provide a 360° visual indication and are aesthetically compatible with instrument or office equipment as well as being environmentally suitable for process and production applications.

LED Tower Lights

- Long Life LED Lamps
- Flashing or Steady Light Modes
- Loud 80dB/M Buzzer Only or Buzzer/Light Models
- One Through Five Light Models
- Base or Pole Mounting (All Mounting Hardware Supplied)
- Replaceable Lenses and LED Lamp Modules
- Unique Through-Prism, Light Refraction Design
- IP54, Splash Proof Rated
- Brushed Aluminum Poles and Design Enhanced Lights Provide Pleasing Aesthetics

SPECIFICATIONS

OPERATING VOLTAGE	110 VAC, 50/60 Hz.
	24 VDC
	220 VAC Available—Special Order
POWER CONSUMPTION	110 VAC, 40mA per Light
	24 VDC, 20mA per Light
RATING	IP54
RECOMMENDED SWITCH RATING	2A
BUZZER DECIBEL	80dB/M
TERMINATION	Wire Leads
LAMP LIFE (LED)	100,000 Hours Est.
FLASH RATE	60 FPM
MOUNTING	Base or Pole with 90° Angle Bracket All Hardware Supplied
WEIGHT	1.75 lbs. to 2.35 lbs.

ORDERING INFORMATION

For replacement bulbs, see page 143

MODEL NUMBER	NO. OF LIGHTS	VOLTAGE	LIGHT MODE	BUZZER	MOUNTING
TLFPW-24-1	1	24VDC	Flashing	No	Pole
TLFPW-24-3	3	24VDC	Flashing	No	Pole
TLFPW-120-1	1	120VAC	Flashing	No	Pole
TLFPW-120-2	2	120VAC	Flashing	No	Pole
TLFPW-120-3	3	120VAC	Flashing	No	Pole
TLSB-120-1	1	120VAC	Steady	No	Base
TLSB-120-2	2	120VAC	Steady	No	Base
TLSB-120-3	3	120VAC	Steady	No	Base
TLSBPW-120-1	1	120VAC	Steady	Yes	Pole
TLSBPW-120-2	2	120VAC	Steady	Yes	Pole
TLSBPW-120-3	3	120VAC	Steady	Yes	Pole
TLSPW-24-1	1	24VDC	Steady	No	Pole
TLSPW-24-3	3	24VDC	Steady	No	Pole
TLSPW-120-1	1	120VAC	Steady	No	Pole
TLSPW-120-2	2	120VAC	Steady	No	Pole
TLSPW-120-3	3	120VAC	Steady	No	Pole
TLSPW-120-4	4	120VAC	Steady	No	Pole
TLSPW-120-5	5	120VAC	Steady	No	Pole
TBB-120	None	120VAC	None	Yes	Base
TBPW-120	None	120VAC	None	Yes	Pole

Many other model variations are available on a special order, non-stock basis. Special order variations include: 220 VAC, non-standard lens sequence, multiple lenses of the same color, flashing light/buzzer, pole with base mounting. Contact Factory for model variation information. Sold by AA Electric 1-800-237-8274 Lakeland, FL • Lawrenceville, GA • Greensboro, NC • East Rutherford, NJ

STANDARD LIGHT/LENS SEQUENCE

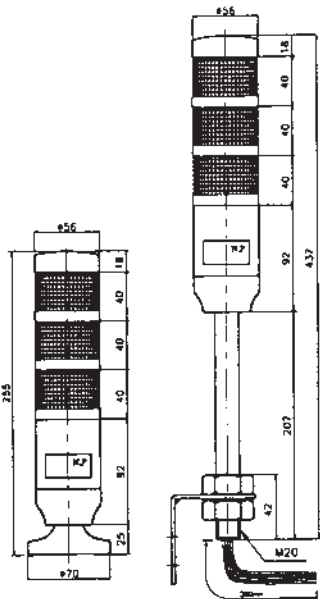
TOP TO BASE

- 1 Light — Red
- 2 Light — Red, Green
- 3 Light — Red, Amber, Green
- 4 Light — Red, Amber, Green, Blue
- 5 Light — Red, Amber, Green, Blue, Clear

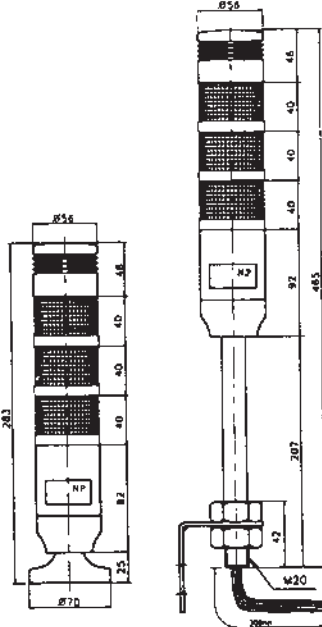
For replacement bulbs, see page 143

DIMENSIONS (MILLIMETERS)

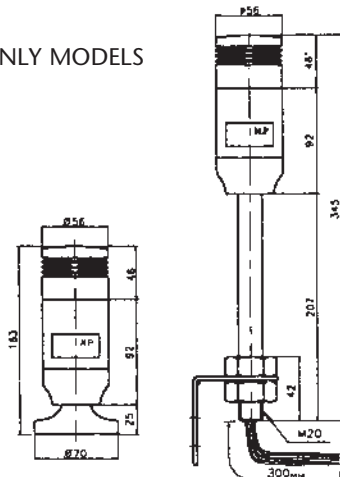
STEADY & FLASHING LIGHT MODELS



STEADY & FLASHING BUZZER MODELS

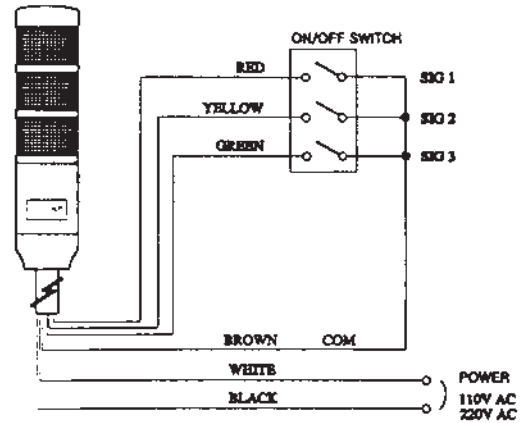


BUZZER ONLY MODELS

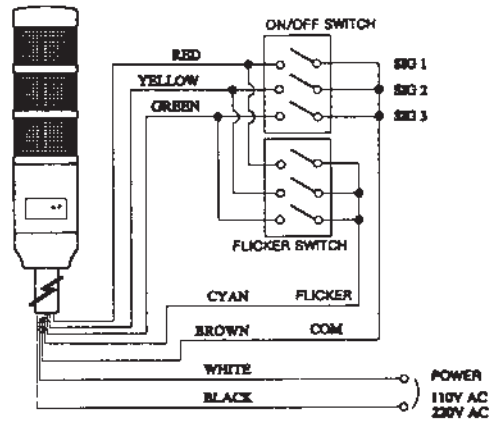


WIRING

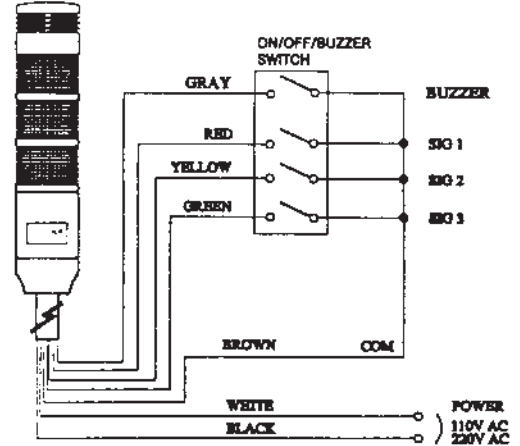
STEADY LIGHT MODELS



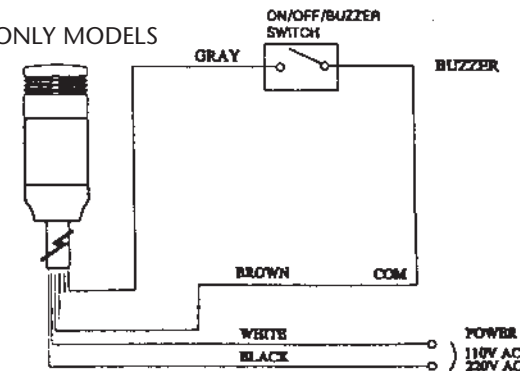
FLASHING LIGHT MODELS



STEADY LIGHT WITH BUZZER MODELS



BUZZER ONLY MODELS





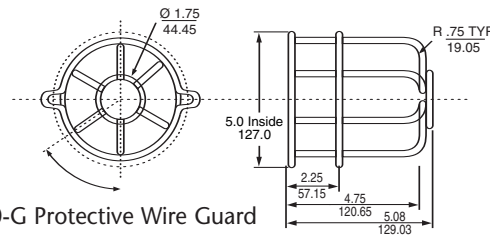
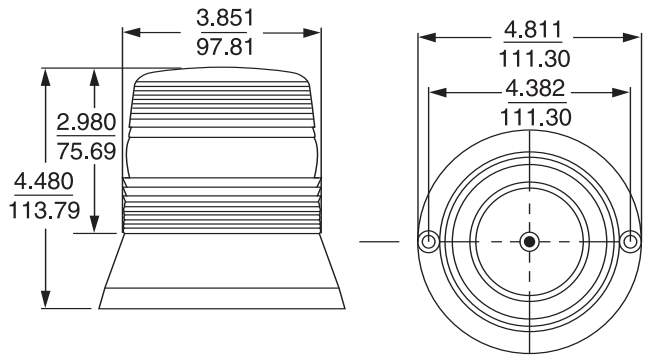
Indoor/Outdoor High Intensity Strobe Light

The model S100 is available in red, amber, blue or clear lenses and can be base mounted or threaded onto a 3/4" pipe. The high intensity strobe light can be applied inside or outside and features an "O" ring gasket between lens and base plus sealed electronic circuitry. 120 VAC and 12 VDC-80 VDC models are standard as are base mounted or magnetic base for non-permanent mounting. A protective wire frame guard accessory is available for high damage risk installations.

The lens is molded of tough polycarbonate and features computer designed optics that assure a wide band 360° horizontal and vertical flash burst. The combination of material and design make the S100 ideal for industrial equipment even refrigerated areas as well as outdoor vehicles and equipment.

- AC or DC Models
- Compact — Only 4-1/2" High
- Replaceable Lens & Flash Tube
- Magnetic Base With Auto Lighter Plug & Cord Option
- Any Position Mounting

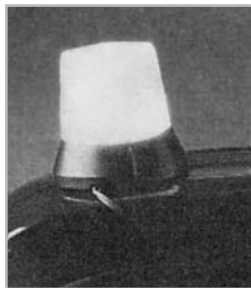
DIMENSIONS (INCHES/MILLIMETERS)



SPECIFICATIONS

OPERATING VOLTAGE	120 VAC; 50/60 Hz. 12-80 VDC
POWER CONSUMPTION	@12 VDC, 0.65A, @ 80 VDC, 0.15A 120 Vac, 0.20A
CANDLE POWER	1,000,000 Peak CP
LIGHT SOURCE	Replaceable Xenon flash tube
LENS MATERIAL	Polycarbonate
BASE MATERIAL	Polycarbonate
FLASH RATE	70 (±10) FPM
MOUNTING	Base/Pipe Threaded, Magnetic Base with Cord
WEIGHT	0.95 lbs.

MODEL NUMBER >>>>>>	S100		
	Base/Mount		
	Base/Pipe Mount	BS	
	Magnetic Base 15 ft. cord w/ auto lighter plug	MS	
	Voltage		
	120 VAC	120	
	12-80 VDC	12	
	Lens Color		
	Red	R	
	Amber	A	
	Clear	C	
	Blue	B	
S100-G Protective Wire Guard S100-T Replacement Flash Tube S100L-R Replacement Lens — Red S100L-A Replacement Lens — Amber S100L-C Replacement Lens — Clear S100L-B Replacement Lens — Blue			



MAGNETIC BASE MODEL



PIPE MOUNTING

For replacement bulbs, see page 143

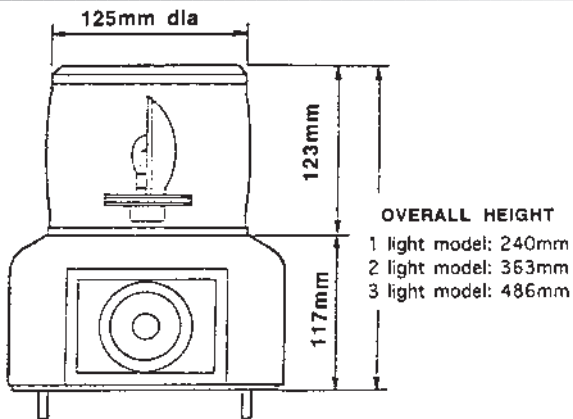
MAGNUM SIZE ROTATING/AUDIO TOWER LIGHT

- 105 Decibel Selectable Alarm or Melody Audio
- 25W Bulb, Large Reflector Surface
- Ideal for Noisy Industrial Locations
- 1, 2 or 3 Light Models
- Long Distance Viewing/Hearing
- Large 5" Diameter Lens

SPECIFICATIONS		
OPERATING VOLTAGE	110 VAC	
POWER CONSUMPTION	2.08A	
ROTATION LENS	150RPM	
LIGHT SOURCE	Replaceable Bulb, 25W	
MOUNTING	Base	
WEIGHT	22 oz.	
AUDIO	Selectable	Warning 105 db. Melody 70 db.

ORDERING INFORMATION		
MODEL NUMBER	NO. OF LIGHTS	LENS COLOR
TR125BSA-110-1	1	Red
TR125BSA-110-2	2	Red, Green
TR125BSA-110-3	3	Red, Amber, Green

DIMENSIONS (MILLIMETERS)



For replacement bulbs, see page 143



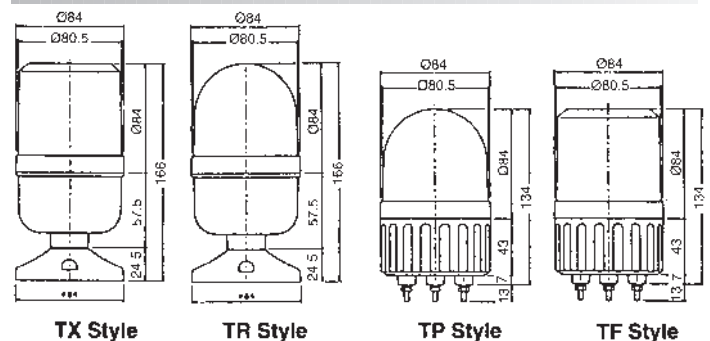
Rotating/Audio Tower Light

ROTATING LIGHTS

- 4 Styles of Lights
- 110/220 VAC or 24 VDC
- 4 Dome Colors (R, A, G & B)
- Rotation Rate 130RPM

SPECIFICATIONS	
OPERATING VOLTAGE	110 VAC
POWER CONSUMPTION	0.1A
BULB RATING	12V, 5W or 24V, 5W
REFLECTOR ROTATION	130 RPM
LENS DIAMETER	80mm
WEIGHT	14 oz. to 22 oz.

DIMENSIONS (MILLIMETERS)



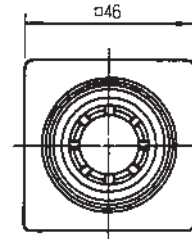
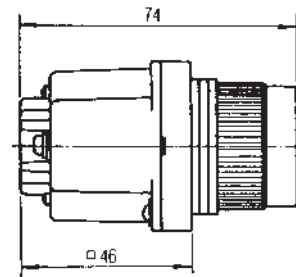
MODEL NUMBER >>>>>>	T		
Lens/Mounting Style/Base			
Cylinder/mounting style	X		
Cylinder/female	R		
Dome/male	P		
Cylinder/male	F		
Voltage			
24 VDC	24		
110 VAC	110		
Lens Color			
	Red	R	
	Amber	A	
	Clear	C	
	Blue	B	

Indicating Lights // Series TF, TP, TR, TX



65dB Buzzers

DIMENSIONS (MILLIMETERS)



Mounting Cutout
 Model K402: 1.18" Dia.
 Model K4025: 1.00" Dia.

ORDERING INFORMATION

MODEL NUMBER	VOLTAGE	OPERATION	DECIBEL RATING	BUSHING SIZE
KB-5BAFS	90-240 VAC	Steady or Pulse	80dB	25mm dia.
KH-402-1	110 VAC	Steady	65dB	30mm dia.
KH-402D-12	12 VDC	Steady	65dB	30mm dia.
KH-402D-24	24 VDC	Steady	65dB	30mm dia.
KH-402F-12	12 VDC	Pulse	65dB	30mm dia.
KH-402F-24	24 VDC	Pulse	65dB	30mm dia.
KH-4025-1	110 VAC	Steady	65dB	25mm dia.
KH-4025D-12	12 VDC	Steady	65dB	25mm dia.
KH-4025D-24	24 VDC	Steady	65dB	25mm dia.
KH-4025F-12	12 VDC	Pulse	65dB	25mm dia.
KH-4025F-24	24 VDC	Pulse	65dB	25mm dia.