

Housed in a space-saving case suitable for front-panel mounting, the **ATC 5703/4 Elapsed Time Indicator** is available in reset and non-reset versions. Both measure the running time of electrically-operated equipment in tenths of an hour, the non-reset version in a 6 digit range and the reset in a 5 digit range.

SAVE 40% IN PANEL SPACE AND COST: A compact instrument that requires only a 45mm² panel cutout, the 5703/4 takes about 40% less panel space - and costs about 40% less than conventional hour meters.

FIELD CONVERTIBLE: Field convertible 50 or 60Hz by switch on rear of unit.

RUNNING INDICATOR: An integral indicator generates an easily detected revolving pattern when the monitored equipment is energized.

EASY INSTALLATION: No tools are required for front-of-panel installation in a cutout.

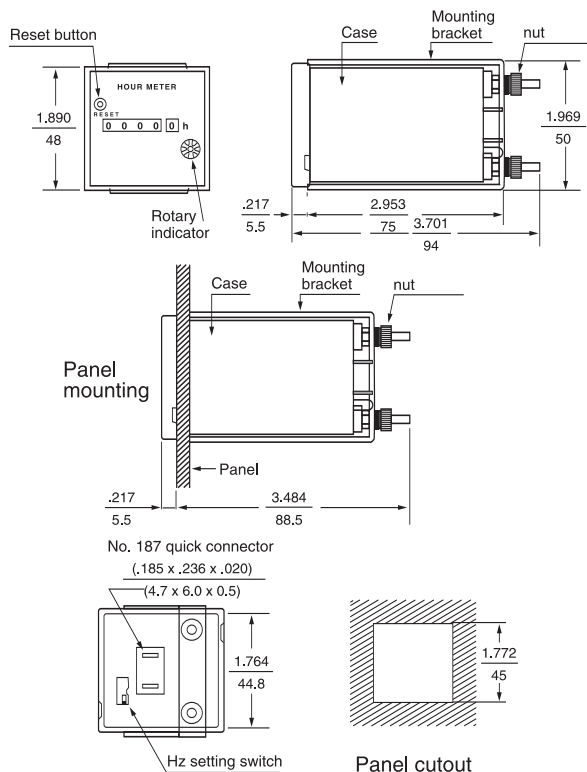


Elapsed Time Indicator

OPERATION

When the 5703/4 is wired in parallel with electrical equipment, it accumulates running time and its indicator rotates when the monitored equipment is energized. The 5703 non-reset version provides a tamper-proof indication of total running time, continuously adding running time measurement to the previously accumulated total. The 5704 reset version starts a new running time total each time the reset button is pushed.

DIMENSIONS (INCHES/MILLIMETERS)



SPECIFICATIONS

MODEL	5703	non-reset
Choice of two	5704	push button reset
RANGES	5703	99,999.9 hours
	5704	9,999.9 hours
READOUT	White digit on black background	
ACCURACY	As accurate as line frequency	
OPERATING VOLTAGE	24VAC, 50/60 Hz.	
	120VAC, 50/60 Hz.	
	240VAC, 50/60 Hz.	
TERMINALS	Integral flat-blade plug terminals: accept 3/16" female push-ons or solder connections.	
TEMPERATURE RATING	14° to 122°F (-10°C to 50°C)	
WEIGHT	NET: 5 oz.	SHIPPING: 8 oz.

MODEL NUMBER >>>>>>			
Basic Type			
non-reset	5703B		
push button reset	5704B		
Range			
99,999.9 hours (5703 only)	102		
9,999.9 hours (5704 only)	109		
Special	000		
Voltage & Frequency			
120 VAC	50/60 Hz	Q	
240 VAC	50/60 Hz	R	
24 VAC	50/60 Hz	T	
Special	K		
Features			
Standard	00XX		
Special	00KX		

ACCESSORIES
 5704-755-01-00: Retrofit plate for replacing series 5702
 5703-125-01-00: Retrofit mounting frame



Elapsed Time Indicators with LCD

Containing an internal lithium battery, these elapsed time indicators need no external power source. The *large LCD display* and small size allows excellent read out in virtually any location. The series 5705 provides indication up to 99,999.9 hours for maintenance cycles. The series 5707 times with 1/10th of second resolution for testing and maintenance applications.

HOURMETER: The Series 5705 Hourmeter provides runtime indication up to 99,999.9 hours. It also features a H which flashes every second when the hour-meter is accumulating time.

SECONDMETER: The Series 5707 Secondmeter times in 0.1 SEC increments up to a total of 99,999.9 seconds.

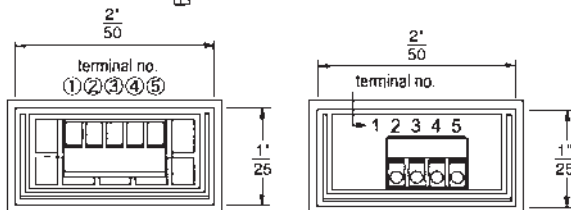
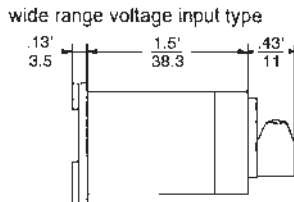
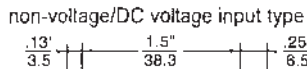
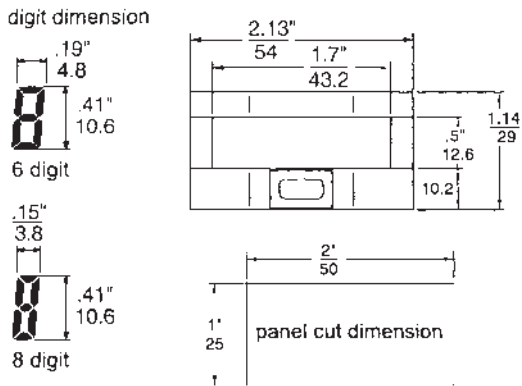
POWER: 10 year life. There is no need for external power.

INPUT: The Series 5705 and 5707 can accept inputs from dry contacts, open collectors, logic pulses, and AC/DC voltage sources (6-250V).

RESET: Reset of the elapsed time can be made by remote wiring or by an integral front panel push-button. The front panel push-button is an optional feature.

HOUSING: The housing for these indicators measures a compact 25 x 50mm. The display features 6 large LCD digits.

DIMENSIONS (INCHES/MILLIMETERS)



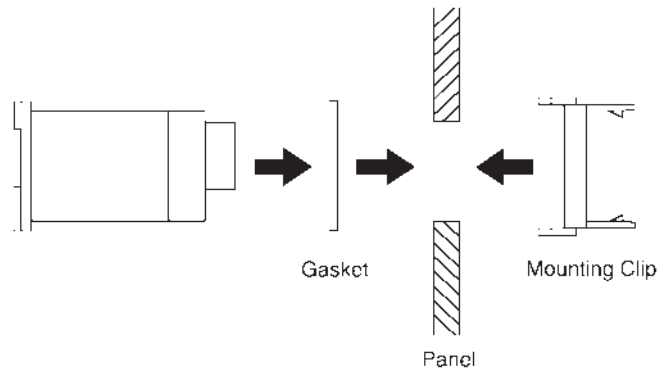
MODEL NUMBER >>>>>	570			
Range				
Hourmeter	5B			
Totalizer/Counter	6B			
Secondmeter	7B			
Display				
6 Digits	6			
8 Digits (available on totalizer only)	8			
Reset				
Remote	0			
Front Panel, Remote	1			
Input				
Switch, open collector with removable terminal block	0XX			
AC/DC voltage 20-250 V	1XX			

Elapsed Time Indicators // 5705/7 Series

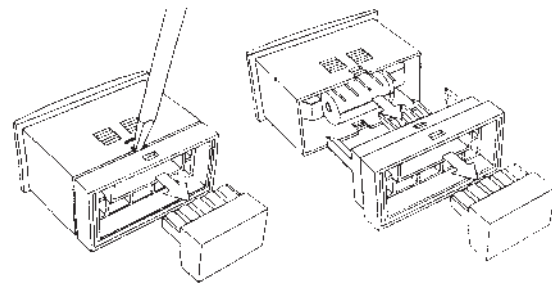
SPECIFICATIONS

DISPLAY	LCD (Zero-Suppression System)	
SIZE OF DIGITS	6 digit display: 8mm (H) X 4.5mm (W)	
	8 digit display: 8mm (H) X 4.5mm (W)	
NUMBER OF DIGITS	6 or 8	
MIN. DISPLAY UNIT	0.1 HR-Hourmeter	
	0.1 SEC-Secondmeter	
POWER SUPPLY	Self contained 3V lithium battery, lifetime 10 years	
COUNTING DIRECTION	Additive	
INPUT	Switch/Open Collector/Logic Pulse ("L" 0-1V, "H" 3-30V, times at "L"), AC/DC Voltage 6-250V	
INPUT CURRENT	100 μ A max. at input "ON" (AC/DC Voltage: 1mA at 100 VAC)	
COUNT SPEED	Switch Input	40 Hz.
	AC/DC voltage Input	20 Hz.
PULSE WIDTH	Switch Input	125 mSEC MIN
	AC/DC voltage Input	25 mSEC MIN
RESET METHOD	Remote Reset or Front Panel Reset or Remote Reset only	
REMOTE RESET	Switch/Open Collector/Logic Pulse ("L" 0-1V, "H" 3-30V, resets at "L")	
REMOTE RESET CURRENT	100 μ A max.	
REMOTE RESET PULSE WIDTH	100 mSEC MIN	
OPERATING TEMPERATURE	14 to 122°F (-10 to 50°C)	
OPERATING HUMIDITY	45-85% (non-condensing)	
LEAD WIRES (SWITCH INPUT)	Length 300mm \pm 10mm (AWG 26, UL 1007); Input (Blue), Reset (White), GND (Black)	
TERMINALS (AC/DC VOLTAGE INPUT)	Input (Terminals 3 and 4)	
	Reset (Terminals 1 and 2)	
FRONT PANEL	Dustproof and Splashproof	
WEIGHT	1.4 oz. (38g) approx.	

INSTALLATION

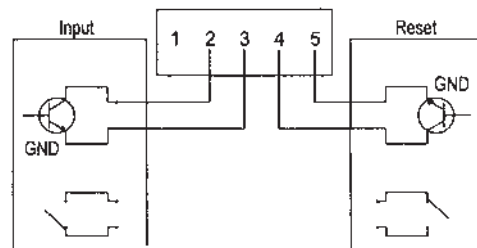


BATTERY REPLACEMENT



WIRING

● Non-voltage input type



● Wide range voltage input type AC/DC 20-250V

