



NEMA 12 Molded Case

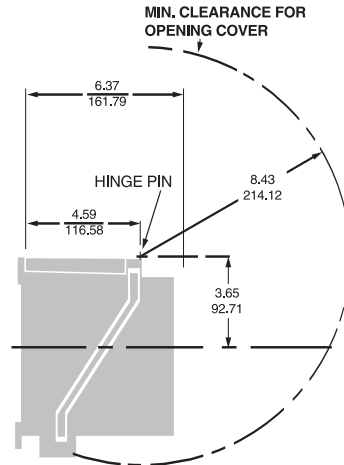
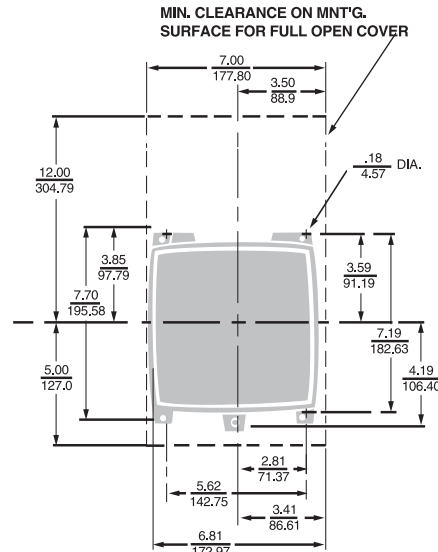
A NEMA 12 enclosure molded of 1/8 inch thick High Impact ABS, the **Series 223 cases** provides an economical way to mount and protect a single timer or counter. It is fully gasketed, weather resistant and is designed for surface mounting. Options include factory cutouts for mounting a device through the cover, and plates for mounting it inside the case.

The NEMA 12 enclosure is available as an accessory part for use with the following ATC products: Series 304, 305, 309, 310, 322, 325, 326, 333, 334, 335, 336, 353, 354, 355, 356, 365, 366, 376, 378 and 385.

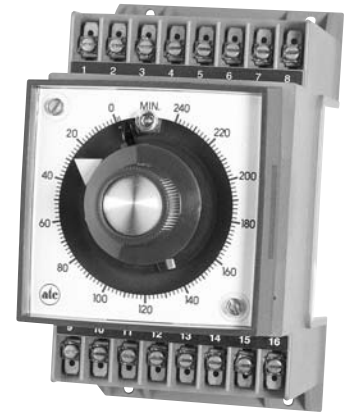
Accessories // Molded Case

MODEL NUMBER >>>>>>	233			
Cutouts Hinged In Cover				
Blank — no cutout in cover	B			
5 hole pattern for mounting 325, 326, 333, 334, 335, 336, or 342.	T			
353, 354, 355, 356, 365, 366, 376, 385	U			
Conduit Holes				
None, customer to cut holes as required	1			
1" conduit hole in top surface (hinges on top)	2			
1" conduit hole in right side (hinges on top, looking at front)	3			
1" conduit hole in left side (hinges on top, looking at front)	4			
Special	0			
Features				
Standard case, no baseplate, no connectors	X			
With 5-1/2" square, baseplate inside. ready for mounting, the 322B or 324D (up to 3 cams only)	B			
With standard 5-1/4" square blank base plate.	C			
Standard unit	X			
Special unit	K			

DIMENSIONS (INCHES/MILLIMETERS)



This accessory part comprises of a bracket and an integral terminal strip. The bracket facilitates surface mounting while the strip relocates all terminals where they are conveniently accessible from the front.

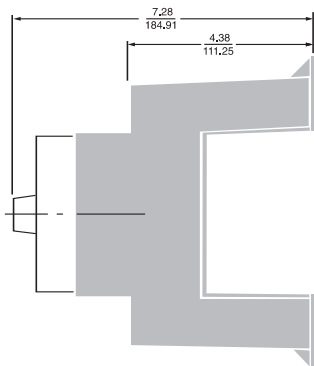
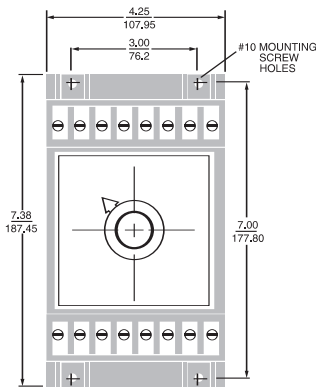


Surface Mounting Brackets

DIMENSIONS (INCHES/MILLIMETERS)

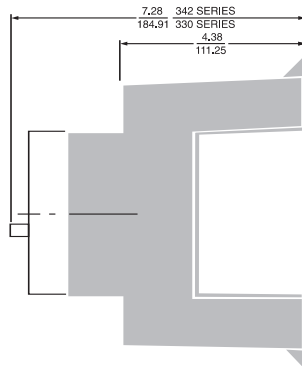
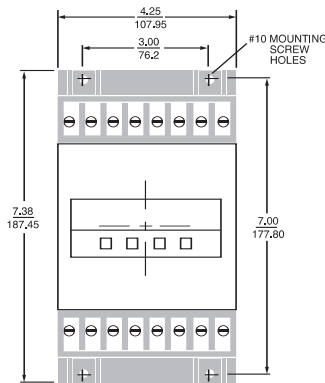
FOR SERIES 305

Order Part. No. 0305-265-65-00



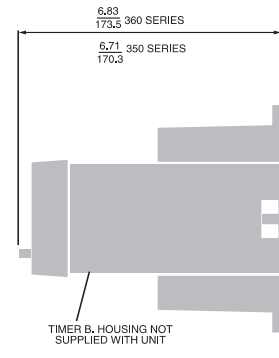
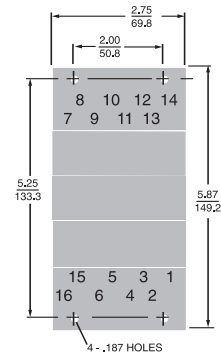
FOR SERIES 333, 334, 342

Order Part. No. 0325-260-62-00



FOR SERIES 353, 354, 355, 356, 365, 366, 376, 378, 385

Order Part. No. 0353-260-27-00



Accessories // Mounting Brackets



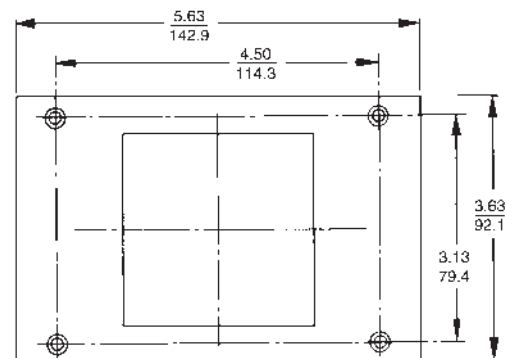
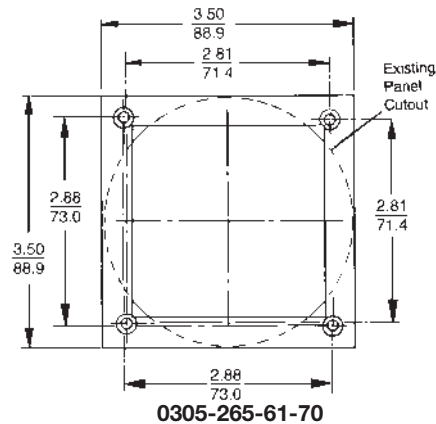
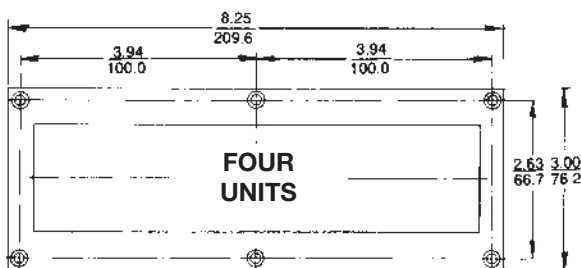
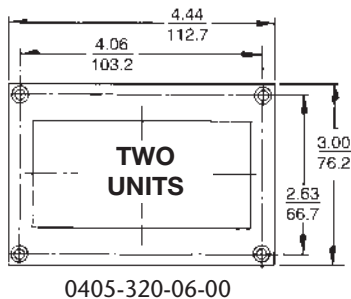
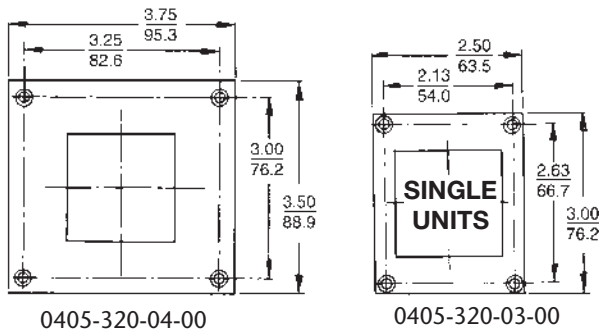
Panel Mounting Adapter Kits

72mm² PANEL MOUNTING ADAPTER KITS: When panel cutouts already exist, these adapter kits allow easy mounting of ATC's newer 72mm² units. Two kits are available. One makes easy replacement of round panel cutouts, from early Eagle Signal and ATC products. The other allows cutouts from older Durant, Veeder Root and Red Lion products to be reduced to the compact 72mm² size.

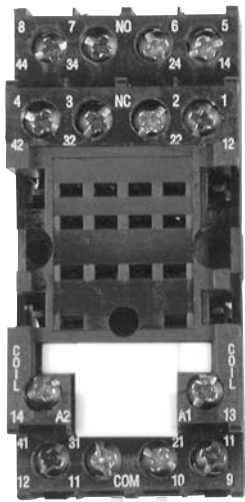
1/16 DIN PANEL MOUNTING ADAPTER KITS: These adapter kits are designed to mount the newer 1/16 DIN (48mm²) standard housing styles. One adapter kit allows retrofit format 72mm² housing cutout to a 1/16 DIN cutout. The other three adapter kits allow easy mounting of one, two or four 1/16 DIN units, side by side.

MODEL NUMBER	DESCRIPTION	FOR RETROFIT OF:
0305-265-61-70	Round Cutout Retrofit Kit	Eagle Signal: CE, CD, CT, CX, HG, HQ, HP, HZ Series ATC: 305, 310, 325, 326, 335, 336 Series
0376-320-01-00	Square Cutout Retrofit Kit	Red Lion: GE mini Series, Eagle Signal:RX, DG Series Veeder Root: 7910 Series Durant: President, 5881 Series
0405-320-04-00	72mm ² cutout retrofit kit	Eagle Signal: SX Series Red Lion: Libra Series Durant: 401, 402, 403, 404, 4561, 4562 Series Veeder Root: 7915 Series
0405-320-03-00	Single unit mounting kit	
0405-320-06-00	Two unit mounting kit	
0405-320-05-00	Four unit mounting kit	

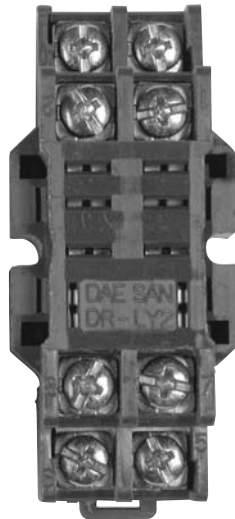
DIMENSIONS (INCHES/MILLIMETERS)



Accessories // Panel Mounting Adapter Kits

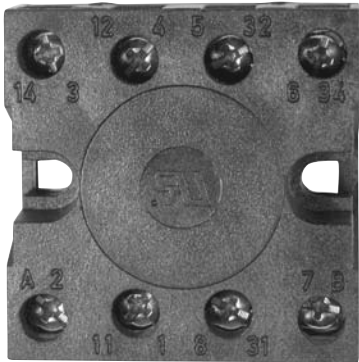


600-3-0018
DIN Rail or Base Mount, 4PDT,
Miniature Relay Socket
30mm (W) x 71.5mm (T) x 29mm (D)

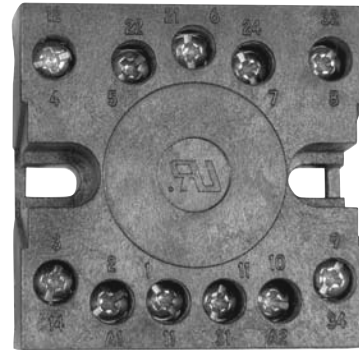


600-3-0019
DIN Rail or Base Mount, DPDT for
.187 Terminal Relays (10 Amp.) Socket
32mm (W) x 67mm (T) x 27mm (D)

8 and 11 PIN Base Mount/DIN Rail Sockets



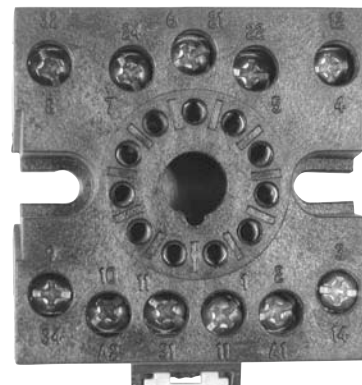
600-3-0011
Panel Mount, 8 Pin
43.5mm (W) x 43.5mm (T) x 20mm (D)



600-3-0012
Panel Mount, 11 Pin
47mm (W) x 47mm (T) x 20mm (D)



600-3-0013
DIN Rail or Base Mount, 8 Pin
43.5mm (W) x 43.5mm (T) x 20mm (D)

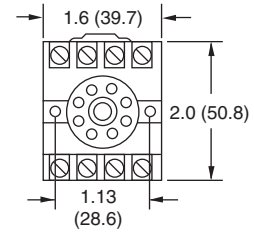
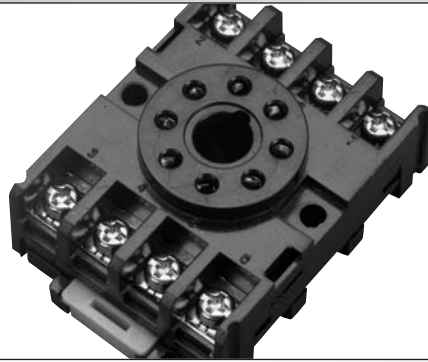


600-3-0014
DIN Rail or Base Mount, 11 Pin
47mm (W) x 47mm (T) x 20mm (D)

1/16 DIN TIMER ACCESSORIES—8 PIN ACCESSORIES

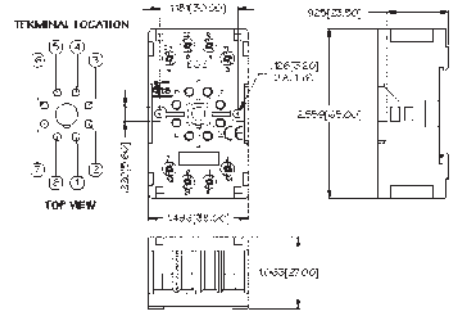
0000-825-85-00

8-Pin surface DIN rail socket. Recommended for use with all 8-pin octal plug-in devices when surface mounting or DIN rail mounting.



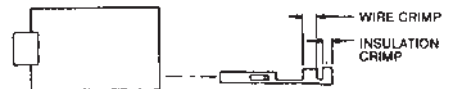
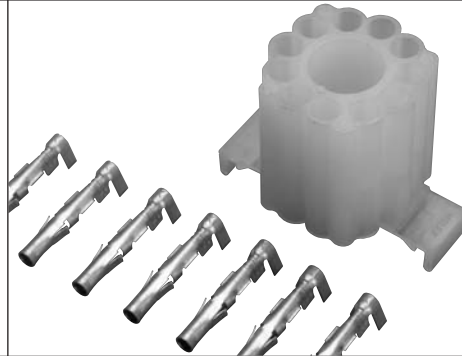
API 008FS

8-Pin Finger-Safe Socket.



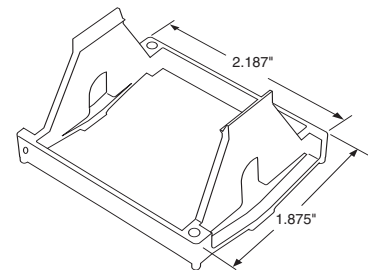
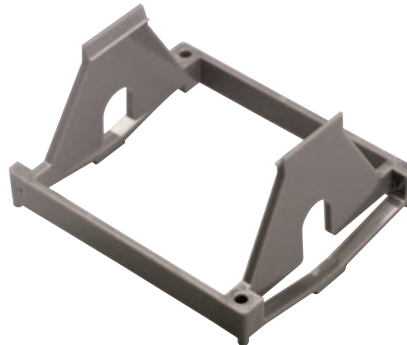
0319-261-45-00

Plug-on socket kit (8 pin). Recommended for use with all 8-pin octal plug-in devices. Panel mounting only. Attach the wires to the solderless connector with a crimping tool.



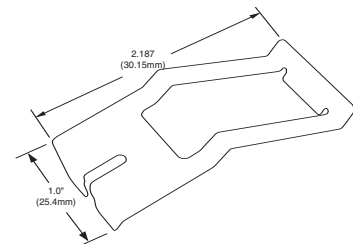
0405-320-02-00

Panel Mounting bracket. Recommended for use with all 1/16 DIN timers when panel mounting. Use in conjunction with the 8-pin or 11-pin panel socket with rear facing terminals.



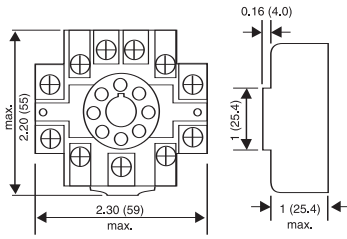
0407-025-13-00

Hold-down for part #000-825-85-00. Two (2) needed for proper installation.



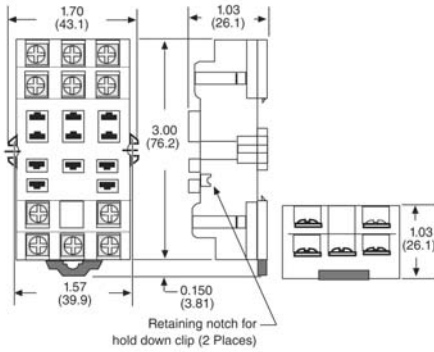
Accessories // Sockets/Brackets

1/16 DIN TIMER ACCESSORIES-11 PIN ACCESSORIES



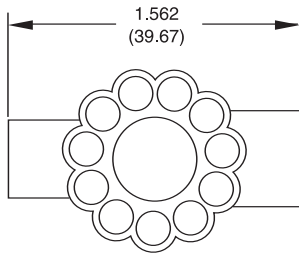
0000-825-86-00

11-Pin surface DIN rail socket. Recommended for use with all 11-pin octal plug-in devices when surface mounting or DIN rail mounting.



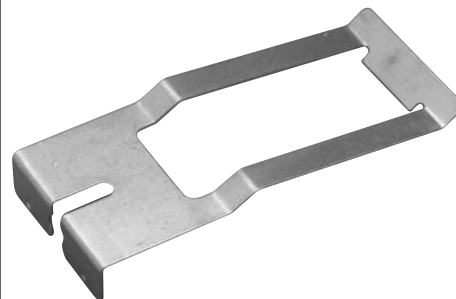
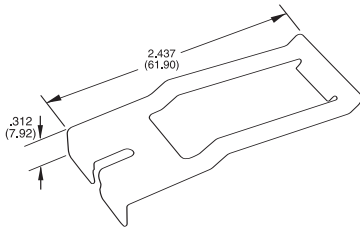
70-463-1

11-Pin Socket, DIN/Panel Mount, with screw terminals & Clamping plates.



0405-320-07-00

Hold down for part #0000-825-86-00. Two (2) needed for proper installation.



0405-320-07-00

Hold down for part #0000-825-86-00. Two (2) needed for proper installation.

Accessories // Sockets/Brackets