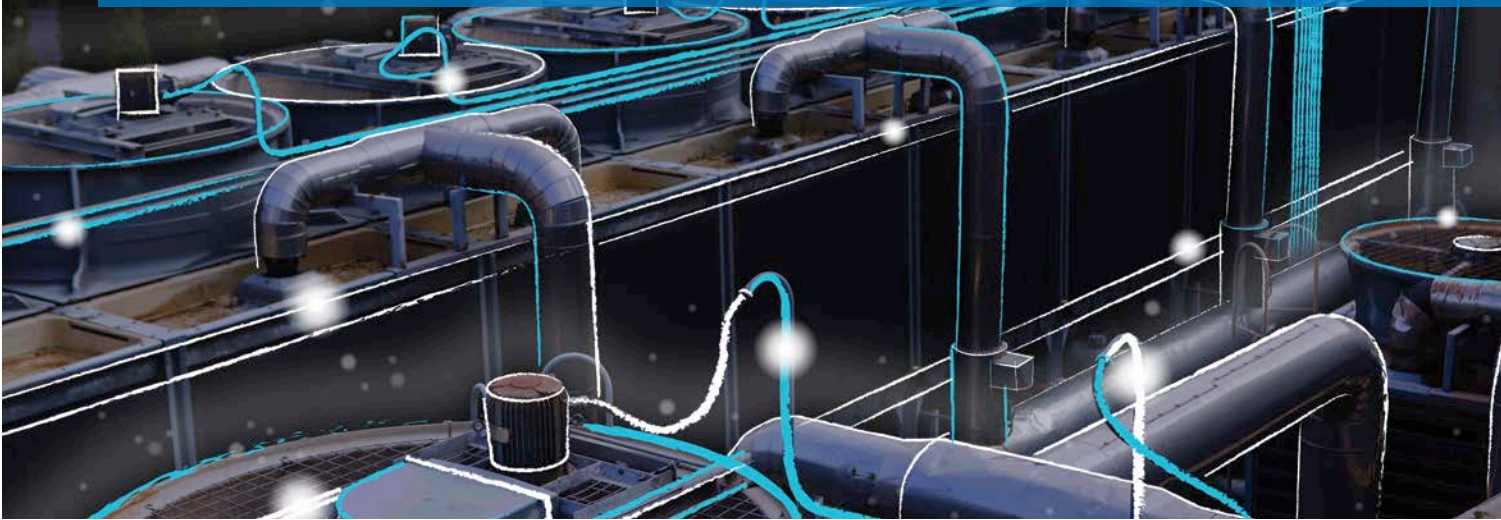


ECX77

XT compact combination starter



Big performance. Compact design.



The XT compact combination starter is the latest addition to Eaton's expansive portfolio of enclosed control products. This starter was designed to provide complete motor circuit protection in a cost-effective, compact solution. Standard options reduce product complexity while still providing the flexibility to meet application-specific needs. The optional BACnet communication module allows for simple integration into building automation systems. The reduced footprint, cohesive layout and replaceable components make it the easiest combination starter to install and maintain.

Features

- Type 1, 3R and 12 enclosures
 - Type 1 plastic cover with captive screws and a cover retention feature
- UL® Type F combination starter
- Rotary style disconnect with lockout provision
- Adjustable Class 10 thermal overload protection
- Hand-Off-Auto selector switch and red RUN pilot light
- Control power transformer (CPT)
- Terminal block inputs:
 - Remote operation of Hand-Off-Auto
 - Fireman's override
 - Emergency shutdown
 - Limit switch
- Terminal block outputs:
 - Actuator control
- BACnet MS/TP communication module (optional)
 - Factory-installed or field-installable kit

Benefits

- Compact footprint
- Reduced installation costs
- BACnet option for integration into building automation systems
- Replaceable components

Applications

- HVAC
- Pumping
- OEM/MOEM
- Industrial
- Commercial construction

Certifications



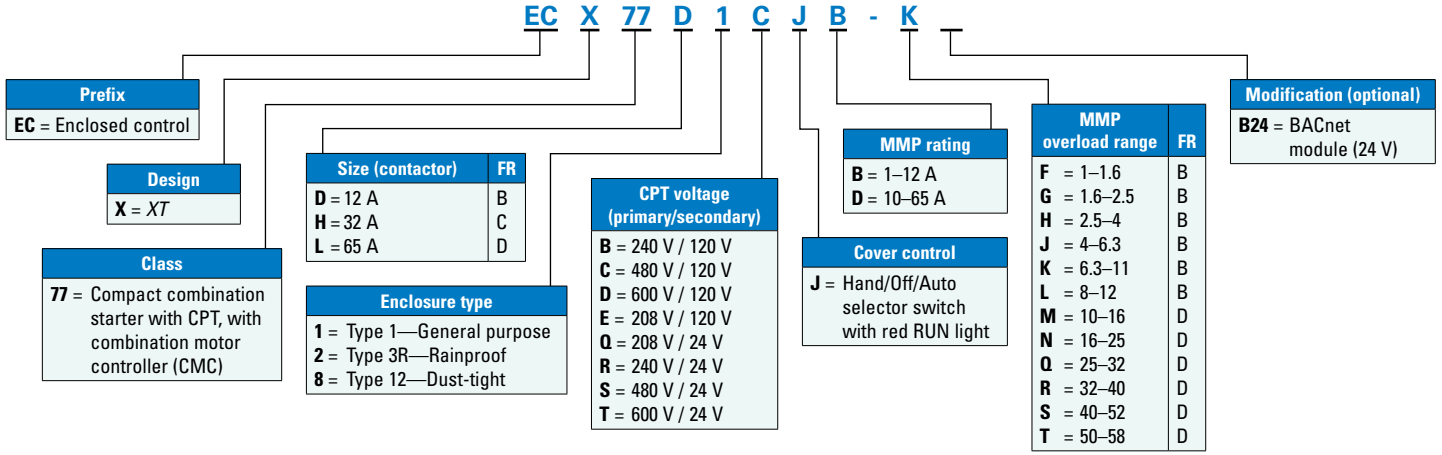
Product range

- 1–65 A, 1/2–40 hp
- 208 V, 240 V, 480 V and 600 V line voltage
- 120 V, 24 V control power
- 65 kAIC short-circuit current rating (SCCR) (up to 480 V)

EATON

Powering Business Worldwide

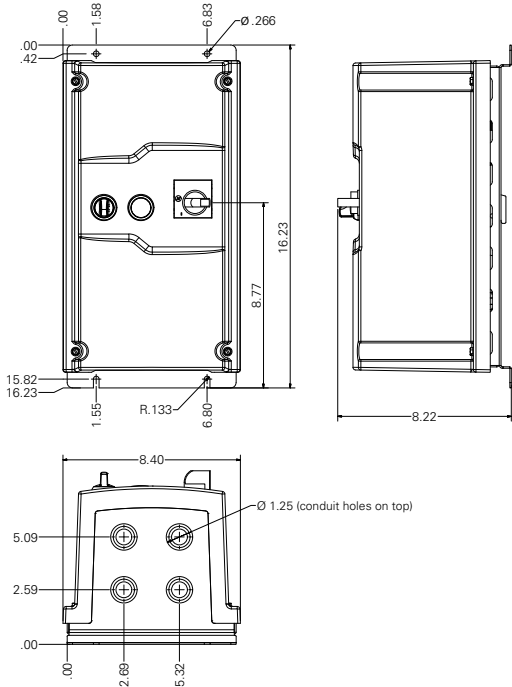
Catalog numbering system



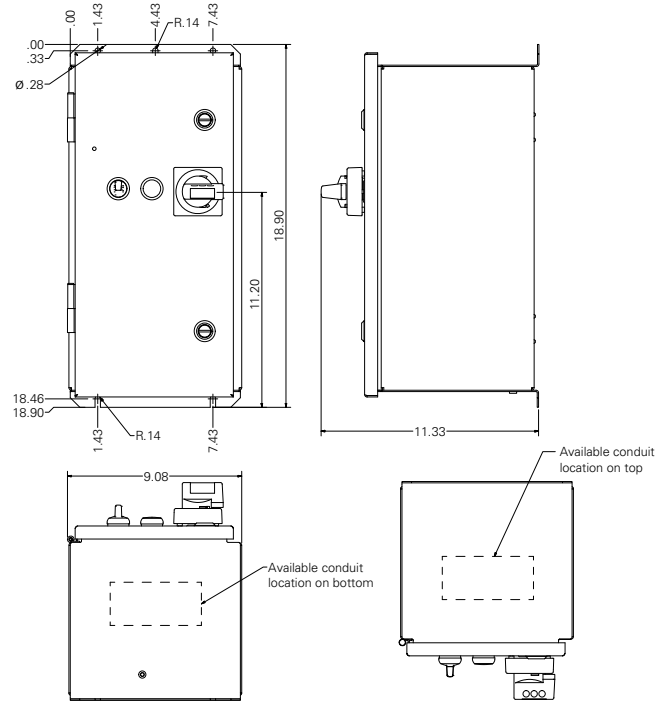
Field kits

Description	Catalog number
BACnet module (24 V)	ECKIT-BAC24
BACnet module (24 V) with power supply for 120 V	ECKIT-BAC120

Enclosure dimensions: Type 1



Enclosure dimensions: Type 3R/12



For more information, visit Eaton.com/xtcompact

Eaton
1000 Eaton Boulevard
Cleveland, OH 44122
United States
Eaton.com

© 2021 Eaton
All Rights Reserved
Printed in USA
Publication No. PA034005EN / Z25734
December 2021

Eaton is a registered trademark.
All other trademarks are property of their respective owners.

Follow us on social media to get the latest product and support information.

