

ENGINEERING  
TOMORROW

*Danfoss*

Selection Guide | VLT® Midi Drive FC 280

**Flexible. Communicative.  
Easy to use.**  
..fits your application

**The  
right mix**

of features gives you  
freedom to achieve  
your system goals



[www.danfossdrives.com](http://www.danfossdrives.com)

**VLT**®

# Access your **true high-efficiency potential...**

Reach new levels of performance with the VLT® Midi Drive FC 280, the evolution of the popular VLT® 2800 drive. Profit from new savings, with a wide range of features designed to make installing, using, and maintaining the AC drive as simple and as easy as possible.

For precise and efficient motor control for machine builders in the food and beverage, material handling, and processing industries, the VLT® Midi Drive is ideal. It is strong on control performance, functional safety, and flexible fieldbus communication.

The right mix of features ensures the AC drive suits your task, whether for conveyor systems, mixers, and packaging systems or driving pumps, fans, and compressors.

With removable connectors, integrated DC choke, RFI filter, and dual-channel STO functional safety, the drive is easy to use and there are no hidden extras.

The VLT® Midi Drive provides

- Easy and fast installation and set-up
- Savings on cost and space
- Flexibility – to suit your task

...giving you the freedom to achieve your system goals.

## **Easy setup**

Built on the success and experience of more than 45 years in the drives field, the VLT® Midi Drive shares the same technical heritage represented by the VLT® name in AC drives.

## **Easy retrofit**

VLT® Midi Drive is designed to be compatible with the VLT® 2800, for a fast, streamlined retrofit.



Therefore you can rely on the same low-maintenance robustness and reliability – once you have set it, it will run reliably, earning you energy savings for years on end.

### Freedom from extra components

- The integrated DC choke for 3-phase units and active power factor correction (PFC) for single-phase units mean you achieve harmonic mitigation with no additional component costs or space requirements.
- The built-in RFI disconnect switch minimizes leakage current and optimizes safe operation on IT mains – as standard.

- VLT Midi Drive is designed to operate at 45 °C ambient temperature at full load and 55 °C with derating. This capability means that there is no need to install extra cooling equipment or to oversize the drive.

The integrated features translate into cost savings for your project by not having to oversize the drive due to temperature derating. Not having to purchase additional equipment saves on installation costs and space because no derating is needed.

### Compact design for easy installation

The compact design, side by side, and horizontal mounting with zero clearance between the drives, make it simpler to optimize panel space.



# Flexible. Easy to use.

## Easy retrofit

VLT® Midi Drive is designed for compatibility with the VLT® 2800. Its exterior dimensions, connectors, cable lengths, and set-up software tools allow you to easily retrofit an established drive panel.

## Service friendly

The integrated USB port as well as the VLT® Memory Module facilitates helpful implementation of factory settings for OEM and machine builders, fast installation of firmware updates, and easy commissioning of drives – a first for VLT® drives.

To transfer pre-defined parameter sets, make a backup copy, or commission the drive on-line, simply connect the FC 280 to a PC using the handy front-access USB port. Alternatively, connect via fieldbus. Clone a drive by using the VLT® Memory Module or just duplicate the settings using the LCP copy function.

## Save time on set-up

### Numeric or graphical LCP

Easy parameter set-up makes the path to energy savings both short and simple, via an enhanced numeric LCP or graphical control panel that supports seven languages.

Targeted 'Application Selections' make it easy for users to set up and commission typical applications.

### VLT® Motion Control Tool MCT 10

Configure and monitor the FC 280 with Danfoss' own VLT® Motion Control Tool MCT 10 software. This tool provides plant managers with a comprehensive view over the system at any point in time and a high level of flexibility in configuration and monitoring. There is even a USB port enabling fast PC connection for commissioning and troubleshooting.

## Wiring time reduced

Removable terminal blocks make this the easiest wiring task imaginable for installation and service – simply remove the terminal blocks for mains power, RS485, I/O, fieldbus and motor, land the wires and plug the terminals back in.



*The integrated USB port and the VLT® Memory Module facilitate helpful implementation of factory settings, fast installation of firmware updates, and easy transfer of settings.*

# Features and benefits

Feature	Benefit
<b>Integrated harmonics and EMC design</b>	
Integrated DC choke or active power factor correction (PFC)	<ul style="list-style-type: none"> <li>– Saves installation time and panel space requirements</li> <li>– Improves power supply quality</li> <li>– Reduces effective input current/VA rating</li> </ul>
Integrated EMC filter	<ul style="list-style-type: none"> <li>– Avoids malfunction and improves reliability of surrounding components</li> <li>– Saves installation time and panel space requirements</li> <li>– Proven compliance to Cat. C2/EN 61800-3 (Class A1/EN 55011)</li> </ul>
RFI switch	<ul style="list-style-type: none"> <li>– Operates safely on IT mains</li> </ul>
<b>Easy to install and set up</b>	
Pluggable terminals	<ul style="list-style-type: none"> <li>– Fast installation and unit exchange</li> </ul>
USB port	<ul style="list-style-type: none"> <li>– Easy PC connection for troubleshooting or commissioning</li> <li>– No need for adapter or PC-USB driver</li> </ul>
Application set-up wizards	<ul style="list-style-type: none"> <li>– Easy commissioning</li> </ul>
Enhanced numerical LCP (option)	<ul style="list-style-type: none"> <li>– Cost effective user interface</li> </ul>
Graphical LCP supporting various languages, including adapter (option)	<ul style="list-style-type: none"> <li>– Easy set-up in one of seven main languages</li> <li>– Fast troubleshooting</li> </ul>
Memory module (option)	<ul style="list-style-type: none"> <li>– Convenient transfer of parameter set-up</li> <li>– Easy firmware updates</li> <li>– Easy and fast commissioning</li> </ul>
Memory module reader (option)	<ul style="list-style-type: none"> <li>– Convenient transfer files to and from the VLT® Memory Module MCM 102 via PC</li> </ul>
<b>Strategic design for applications, safety, and motor control</b>	
Integrated Safe Torque Off (STO), dual channel	<ul style="list-style-type: none"> <li>– Eliminates external components</li> <li>– Enables reliable functional safety</li> </ul>
Control algorithm runs both induction and PM motors	<ul style="list-style-type: none"> <li>– Freedom to choose the best high-efficiency motor for the task</li> </ul>
Integrated brake chopper for 3-phase drives in all power sizes up to 22 kW	<ul style="list-style-type: none"> <li>– No cost for external braking chopper</li> </ul>
Side-by-side or horizontal mounting, without derating and clearance	<ul style="list-style-type: none"> <li>– Allows flexible mounting and saves cabinet space and cost</li> </ul>
Operates at up to 45 °C without derating and clearance	<ul style="list-style-type: none"> <li>– Saves cost for external cooling and reduces downtime for overtemperature failures</li> </ul>





# Fits your application

This drive delivers ease of use and high flexibility in food and beverage industries, material handling, and processing industries.

The right mix of features is the key to optimizing performance for your tasks.

## Conveyor systems

Release the conveyor from mechanical stress via controlled acceleration and deceleration – promoting longer life and lower operating costs.

## Mixers

Upgrade from VLT® 2800, free of redesign – the VLT® Midi Drive fits perfectly. Even upgrade to the high-efficiency motor of your choice – VLT® Midi Drive is compatible.

## Packaging systems

Profit from the all-in-one concept with compact size, industrial fieldbus support, integrated functional safety and positioning features.

## Pumps

Integrated PID control provides solid process control of the pump along with energy saving sleep mode.

## Fans

Achieve up to 50% energy savings by a 20% reduction in fan speed, and save on carbon emissions too.

## Compressors

Enjoy built-in functional safety and the fieldbus protocol of your choice, while optimizing the performance coefficient.

Active power factor correction for single-phase units reduces harmonics to less than

**8% THDi**



# Designed to meet your needs

Choose the VLT® Midi Drive, to control your application. A broad range of fieldbus options suits protocol standards of many different industries. International certification includes CE and UL.

Because it's compatible with both induction and PM motors, you also win the freedom to choose the best high-efficiency motor for your task.



## Integrated harmonic mitigation

In compliance with IEC/EN 61000-3-2/61000-3-12, the integrated DC chokes for all 3-phase units reduce harmonics to less than 48% THDi. For single-phase units the harmonics are less than 8% thanks to the integrated active PFC.

## Integrated brake chopper

A built-in brake chopper for 3-phase drives in the whole power range saves money and panel space.

## Pulse input as speed reference

FC 280 offers the capability to convert pulse input as a speed reference, avoiding the need to purchase an analog signal module for the PLC.

## Integrated PID controller

The built-in PID controller ensures solid process control, such as constant pressure or constant flow operation.

## Integrated RFI filter

Built-in filters not only save space, but also eliminate extra costs for fitting, wiring and material.

The integrated RFI filter improves power supply quality, avoiding malfunction and improving the reliability of surrounding components.

## Integrated positioning control

With the integrated encoder input, the positioning control includes features such as homing, position reference

setting, position feedback and PID control. It supports both absolute positioning and relative positioning applications, such as palletizer or line conveyors.

## Coated PCBs

The printed circuit boards (PCB) are coated as standard according to 3C3 (IEC 60721-3-3) classification against corrosive gases. This protection provides high reliability in harsh environments, preventing failures and unnecessary downtime increasing lifetime of the drive.

## Reliable back-up concept

External 24 V back-up option for power supply, to keep fieldbus communication on, while disconnected from mains.



# Communicative

## Easy connectivity

For convenient PC connection during commissioning or service, use the integrated USB port.

## Your choice of fieldbus

Communicate using your choice of process automation protocols:

- PROFINET with dual port
- POWERLINK with dual port
- EtherNet/IP™ with dual port
- EtherCAT
- PROFIBUS
- CANopen
- Modbus RTU and FC Protocol are integrated as standard



# Adaptive

## PM motor compatibility

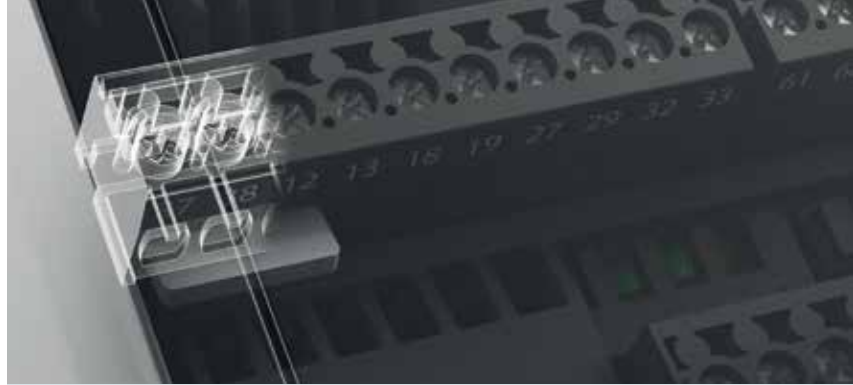
You win the freedom to choose the best high-efficiency motor for your application. The VLT® Midi Drive provides highly efficient permanent magnet (PM) motor control in open loop under VVC+ in the whole power range.

# Clean

## Active power factor correction

Standard in all single-phase units, the unique active power factor correction feature reduces the input current distortion remarkably, to less than 8%. It also ensures safe compliance to the IEC/EN 61000-3-2 standard. This leads to:

- Reduced VA ratings of utility equipment such as cabling, fuses and switches
- Enables grouping of more devices on a single phase supply branch
- Reduced consumption of effective current, and lower harmonic load on the power supply mains network, transformer and connected devices.



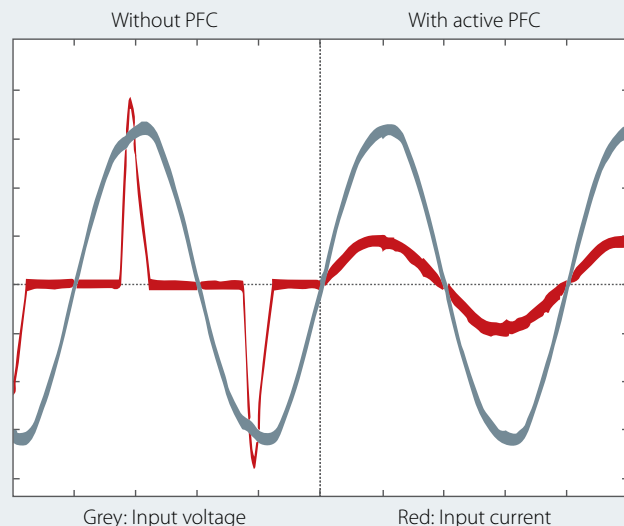
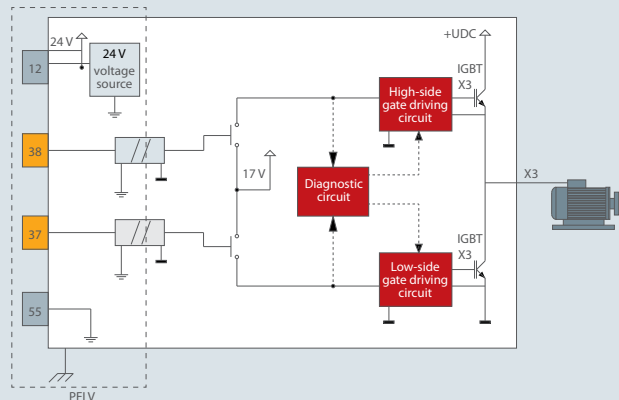
# Safe

## Dual-channel Safe Torque Off

The Safe Torque Off (STO) function is a component in a safety control system. STO prevents the unit from generating the energy that is required to rotate the motor, which ensures safe conditions in emergency situations.

The dual-channel STO function in the VLT® Midi Drive is designed and approved suitable for the requirements of:

- IEC/EN 61508: 2010 SIL 2
- IEC/EN 61800-5-2: 2007 SIL2
- IEC/EN 62061: 2005 SILCL of SIL2
- EN ISO 13849-1: 2008 Category 3 PLd



# Specifications

## Mains supply (L1, L2, L3)

Supply voltage	200-240 V (-15%/+10%) 380-480 V (-15%/+10%)
Supply frequency	50/60 Hz
Displacement power factor (cos φ)	Near unity (> 0.98)
Switching frequency on input supply L1, L2, L3	Switching maximum 2 times/minute

## Output data (U, V, W)

Output voltage	0-100% of supply voltage
Switching on output	Unlimited
Ramp times	0.01-3600 s
Frequency range	0-500 Hz

## Programmable digital inputs and outputs

Digital inputs / digital outputs*	6 (7) / 1
Logic	PNP or NPN
Voltage level	0-24 V DC

One of 6 digital inputs can be configured as digital output or pulse output.  
One of analog inputs can be configured as an extra digital input, thereby bringing the quantity of digital inputs to 7.

## Pulse and encoder inputs

Pulse inputs / encoder inputs**	2/2
Voltage level	0-24 V DC

\*\*Note: Two digital inputs can be configured as pulse inputs.  
One pair of inputs can be configured as encoder inputs.

## Programmable analog inputs

Analog inputs	2
Modes	1 voltage or current / 1 voltage or DI
Voltage level	0 V to +10 V (scaleable)
Current level	0/4 to 20 mA (scaleable)

## Programmable analog outputs

Analog outputs	1
Current range at analog output	0/4 to 20 mA

## Programmable relay outputs

Relay outputs	1
---------------	---

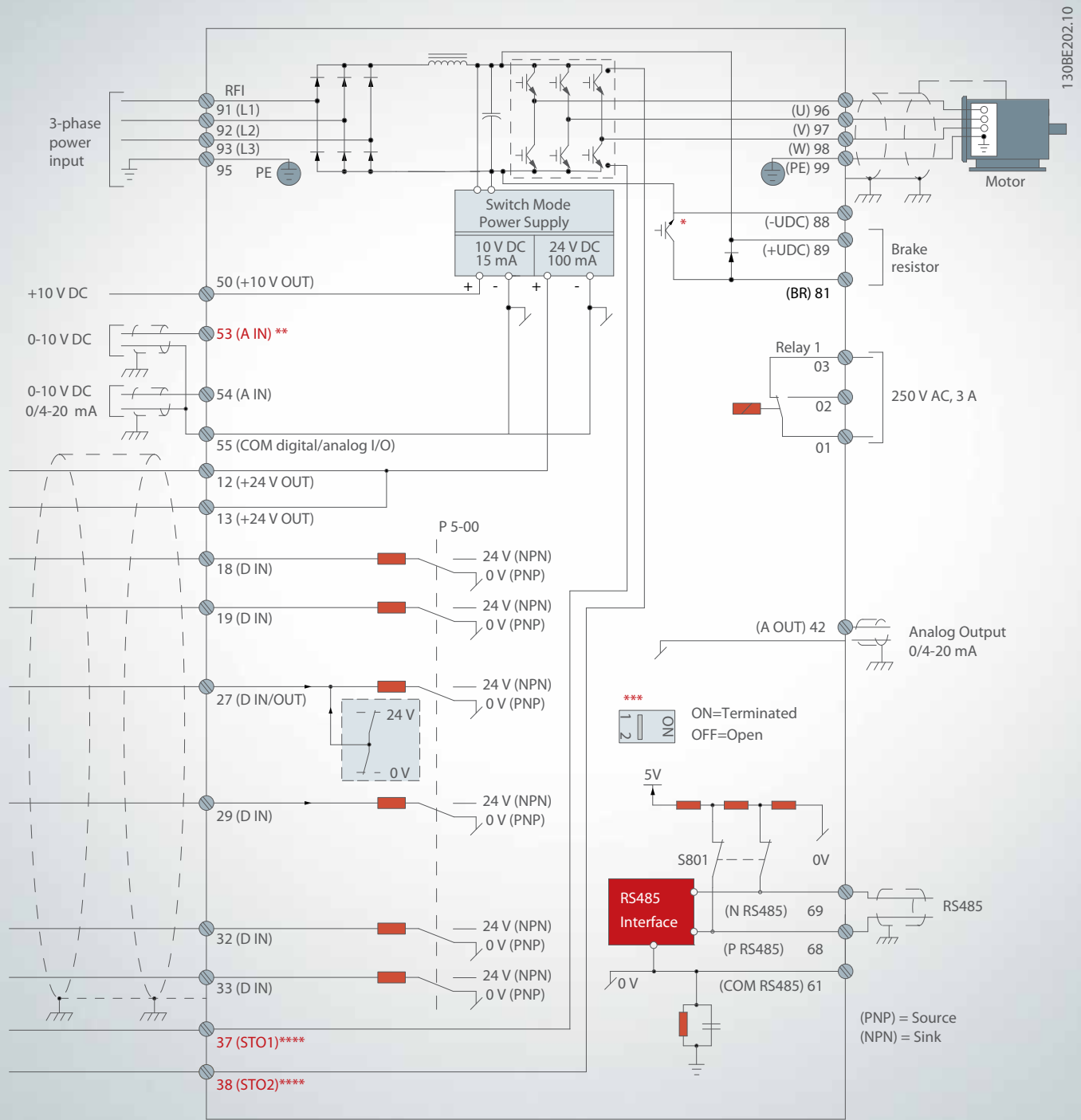
## Approvals

Approvals	CE, UL listed, cUL, TÜV, RCM (C-Tick), EAC
-----------	--



# Wiring schematic

VLT® Midi Drive FC 280



130BE202.10

A=Analog, D=Digital

\* Built-in brake chopper is only available on 3-phase units.

\*\* Terminal 53 can also be used as digital input.

\*\*\* Switch S801 (bus terminal) can be used to enable termination on the RS485 port (terminals 68 and 69).

\*\*\*\* Refer to the Operating Instructions, chapter 6 Safe Torque Off (STO) for the correct STO wiring.

# Electric data

## VLT® Midi Drive FC 280 3 x 380-480 V AC

Enclosure IP 20/Open or IP 21/Type 1		K1						K2	
		PK37	PK55	PK75	P1K1	P1K5	P2K2	P3K0	
Typical shaft output	HP (kW)	0.5 (0.37)	0.75 (0.55)	1.0 (0.75)	1.5 (1.1)	2.0 (1.5)	3.0 (2.2)	4.0 (3)	
<b>Output current</b>									
Continuous (3 x 380-440 V)	[A]	1.2	1.7	2.2	3	3.7	5.3	7.2	
Continuous (3 x 441-480 V)	[A]	1.1	1.6	2.1	2.8	3.4	4.8	6.3	
Intermittent (60 s overload)	[A]	1.9	2.7	3.5	4.8	6.0	8.5	11.5	
<b>Output power</b>									
Continuous (400 V AC)	[kVA]	0.8	1.2	1.5	2.1	2.6	3.7	5.0	
Continuous (480 V AC)	[kVA]	0.9	1.3	1.7	2.5	2.8	4.0	5.2	
<b>Maximum input current</b>									
Continuous (3 x 380-440 V)	[A]	1.2	1.6	2.1	2.6	3.5	4.7	6.3	
Continuous (3 x 441-480 V)	[A]	1.0	1.2	1.8	2.0	2.9	3.9	4.3	
Intermittent (60 s overload)	[A]	1.9	2.6	3.4	4.2	5.6	7.5	10.1	
<b>Additional specifications</b>									
Max. cable cross-section Mains, motor, brake and load sharing	[mm <sup>2</sup> ] (AWG)	4 (12)							
Estimated power loss at rated maximum load <sup>1)</sup>	[W]	20.9	25.2	30.01	40.01	53	74.0	94.8	
Efficiency <sup>2)</sup>	[%]	96.2	97.0	97.2	97.4	97.4	97.6	97.5	

Enclosure IP 20/Open or IP 21/Type 1		K2		K3	K4		K5	
		P4K0	P5K5	P7K5	P11K	P15K	P18K	P22K
Typical shaft output	HP (kW)	5 (4)	7.5 (5.5)	10 (7.5)	15 (11)	20 (15)	25 (18.5)	30 (22)
<b>Output current</b>								
Continuous (3 x 380-440 V)	[A]	9	12	15.5	23	31	37	42.5
Continuous (3 x 441-480 V)	[A]	8.2	11	14	21	27	34	40
Intermittent (60 s overload)	[A]	14.4	19.2	24.8	34.5	46.5	55.5	63.8
<b>Output power</b>								
Continuous (400 V AC)	[kVA]	6.2	8.3	10.7	15.9	21.5	25.6	29.5
Continuous (480 V AC)	[kVA]	6.8	9.1	11.6	17.5	22.4	28.3	33.3
<b>Maximum input current</b>								
Continuous (3 x 380-440 V)	[A]	8.3	11.2	15.1	22.1	29.9	35.2	41.5
Continuous (3 x 441-480 V)	[A]	6.8	9.4	12.6	18.4	24.7	29.3	34.6
Intermittent (60 s overload)	[A]	13.3	17.9	24.2	33.2	44.9	52.8	62.3
<b>Additional specifications</b>								
Max. cable cross-section Mains, motor, brake and load sharing	[mm <sup>2</sup> ] (AWG)	4 (12)			16 (6)			
Estimated power loss at rated maximum load <sup>1)</sup>	[W]	115.5	157.5	192.8	289.5	393.4	402.8	467.5
Efficiency <sup>2)</sup>	[%]	97.6	97.7	98.0	97.8	97.8	98.1	97.9

## VLT® Midi Drive FC 280 3 x 200-240 V AC

Enclosure IP 20/Open or IP 21/Type 1		K1				K2	K3	
		PK37	PK55	PK75	P1K1	P1K5	P2K2	P3K7
Typical shaft output	HP (kW)	0.5 (0.37)	0.75 (0.55)	1.0 (0.75)	1.5 (1.1)	2.0 (1.5)	3.0 (2.2)	5.0 (3.7)
<b>Output current</b>								
Continuous (3 x 200-240 V)	[A]	2.2	3.2	4.2	6	6.8	9.6	15.2
Intermittent (60 s overload)	[A]	3.5	5.1	6.7	9.6	10.9	15.4	24.3
<b>Output power</b>								
Continuous (230 V AC)	[kVA]	0.9	1.3	1.7	2.4	2.7	3.8	6.1
<b>Maximum input current</b>								
Continuous (3 x 200-240 V)	[A]	1.8	2.7	3.4	4.7	6.3	8.8	14.3
Intermittent (60 s overload)	[A]	2.9	4.3	5.4	7.5	10.1	14.1	22.9
<b>Additional specifications</b>								
Max. cable cross-section Mains, motor and brake	[mm <sup>2</sup> ] (AWG)	4 (12)						
Estimated power loss at rated maximum load <sup>1)</sup>	[W]	29.4	38.5	51.1	60.7	76.1	96.1	147.5
Efficiency <sup>2)</sup>	[%]	96.4	96.6	96.3	96.6	96.5	96.7	96.7

## VLT® Midi Drive FC 280 1 x 200-240 V AC

Enclosure IP 20/Open or IP 21/Type 1		K1				K2	
		PK37	PK55	PK75	P1K1	P1K5	P2K2
Typical shaft output	HP (kW)	0.5 (0.37)	0.75 (0.55)	1.0 (0.75)	1.5 (1.1)	2.0 (1.5)	3.0 (2.2)
<b>Output current</b>							
Continuous (3 x 200-240 V)	[A]	2.2	3.2	4.2	6	6.8	9.6
Intermittent (60 s overload)	[A]	3.5	5.1	6.7	9.6	10.9	15.4
<b>Output power</b>							
Continuous (230 V AC)	[kVA]	0.9	1.3	1.7	2.4	2.7	3.8
<b>Maximum input current</b>							
Continuous (1 x 200-240 V)	[A]	2.9	4.4	5.5	7.7	10.4	14.4
Intermittent (60 s overload)	[A]	4.6	7.0	8.8	12.3	16.6	23.0
<b>Additional specifications</b>							
Max. cable cross-section Mains, motor and brake	[mm <sup>2</sup> ] (AWG)	4 (12)					
Estimated power loss at rated maximum load <sup>1)</sup>	[W]	37.7	46.2	56.2	76.8	97.5	121.6
Efficiency <sup>2)</sup>	[%]	94.4	95.1	95.1	95.3	95.0	95.4

<sup>1)</sup> The typical power loss is stated at nominal load conditions and expected to be within ±15% (tolerance relates to variations in voltage and cable conditions). Values are based on a typical motor efficiency (IE2/IE3 borderline). Motors with lower efficiency add to the power loss in the AC drive and motors with high efficiency reduce power loss. Applies for dimensioning of AC drive cooling. If the switching frequency is higher than the default setting, the power losses may rise. LCP and typical control card power consumptions are included. Further options and customer load may add up to 30 W to the losses (though typical only 4 W extra for a fully-loaded control card or fieldbus). For power loss data according to EN 50598-2, refer to [www.danfoss.com/vltenergyefficiency](http://www.danfoss.com/vltenergyefficiency).

<sup>2)</sup> Measured using 50 m screened motor cables at rated load and rated frequency. For energy efficiency class, see the Operating Instructions, chapter 9.4 Ambient Conditions. For part load losses, see [www.danfoss.com/vltenergyefficiency](http://www.danfoss.com/vltenergyefficiency).

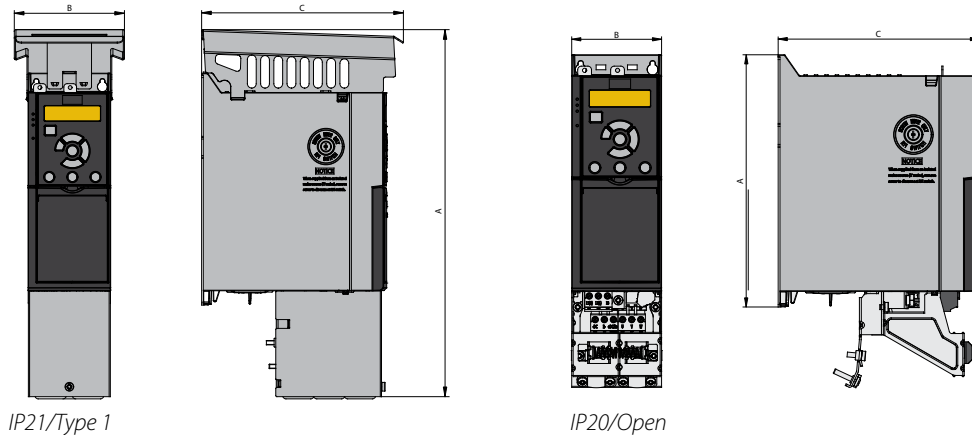
# Ordering typecode



[1] Application (character 4-6)	
280	VLT® Midi Drive FC 280
[2] Power size (character 7-10)	
PK37	0.50 HP/0.37 kW
PK55	0.75 HP/0.55 kW
PK75	1.0 HP/0.75 kW
P1K1	1.5 HP/1.1 kW
P1K5	2.0 HP/1.5 kW
P2K2	3.0 HP/2.2 kW
P3K0	4.0 HP/3.0 kW
P3K7	5.0 HP/3.7 kW
P4K0	5.0 HP/4.0 kW
P5K5	7.5 HP/5.5 kW
P7K5	10 HP/7.5 kW
P11K	15 HP/11 kW
P15K	20 HP/15 kW
P18K	25 HP/18.5 kW
P22K	30 HP/22 kW

[3] AC Line Voltage (character 11-12)	
S2	1 x 200/240 V AC
T2	3 x 200/240 V AC
T4	3 x 380/480 V AC
[4] Enclosure (character 13-15)	
E20	IP20/Open
E21	IP21/Type 1
[5] RFI filter, terminal and monitoring options – EN/IEC 61800-3 (character 16-17)	
H1	RFI-Filter Class: Single-phase A1/B (C1) 3-phase A1 (C2)
H2	RFI-Filter, Class A2 (C3)
[6] Braking (character 18)	
X	No brake IGBT (S2 only)
B	Brake IGBT
[7] LCP Display (character 19)	
X	No LCP installed
N	Numeric LCP-21

[8] PCB Coating – IEC 721-3-3 (character 20)	
C	Coated PCB Class 3C3
[9] Mains input (character 21)	
X	No mains option
[10] Hardware option A (character 22)	
X	Standard cable entries
[11] Hardware option B (character 23)	
X	No adaptation
[12] Special version (character 24-27)	
SXXX	Latest released standard software
SFS1	Functional safety over fieldbus
[13] LCP language (character 28)	
X	English, German, French, Spanish, Danish, Italian, Brazilian-Portuguese
Contact factory for other language options	
[14] Integrated fieldbus (character 29-30)	
AX	Modbus RTU
A0	PROFIBUS DP
A6	CANopen
A8	EtherCAT
AL	PROFINET
AN	EtherNet/IP™
AY	POWERLINK



IP21/Type 1

IP20/Open

Please be aware that not all combinations are possible. Get help to configure your AC drive using the online configurator at: [store.danfoss.com](http://store.danfoss.com)

## Dimensions and weights

Enclosure		K1					K2			K3		K4		K5	
Power size HP (kW)	Single-phase 200-240 V	0.5 (0.37)	0.75 (0.55)	1 (0.75)	1.5 (1.1)	2 (1.5)	3 (2.2)								
	3-phase 200-240 V	0.5 (0.37)	0.75 (0.55)	1 (0.75)	1.5 (1.1)	2 (1.5)	3 (2.2)			5 (3.7)					
	3-phase 380-480 V	0.5 (0.37)	0.75 (0.55)	1 (0.75)	1.5 (1.1)	2 (1.5)	3 (2.2)	4 (3)	5 (4)	7.5 (5.5)	10 (7.5)		15 (11)	20 (15)	25 (18.5)
Protection rating		IP21/Type 1			IP20		IP21/Type 1		IP20	IP21/ Type 1	IP20	IP21/ Type 1	IP20	IP21/ Type 1	IP20
Dimensions Inch (mm)	Height A	11.6 (294)			8.3 (210)		14 (356)		10.7 (272.5)	14.1 (357)	10.7 (272.5)	15.4 (391)	12.5 (317.5)	19.1 (486)	16.1 (410)
	Width B	3.0 (75)			3.0 (75)		3.5 (90)		3.5 (90)	4.5 (115)	4.5 (115)	5.2 (133)	5.2 (133)	5.9 (150)	5.9 (150)
	Depth C	6.6 (168)			6.6 (168)		6.6 (168)		6.6 (168)	6.6 (168)	6.6 (168)	9.6 (245)	9.6 (245)	9.6 (245)	9.6 (245)
Weight lbs (kg)	IP20	5.1 (2.3)				5.5 (2.5)	7.94 (3.6)			9.04 (4.1)		20.72 (9.4)	20.95 (9.5)	27.12 (12.3)	27.56 (12.5)



# Integrated fieldbuses and functional extensions

Available for the full product range

## Fieldbus

- PROFINET with dual port
- PROFINET with dual port, including functional safety
- POWERLINK with dual port
- EtherNet/IP with dual port
- EtherCAT
- PROFIBUS DP V1
- CANopen
- Modbus RTU are integrated as standard

## PROFINET

PROFINET uniquely combines the highest performance with the highest degree of openness. The PROFINET variant gives the user access to the power of Ethernet. It is designed so that many of the features from PROFIBUS can be reused, minimizing user effort to migrate PROFINET, and securing the investment in PLC program.

### Other features:

- Support of DP-V1 Diagnostic allows easy, fast and standardized handling of warning and fault information into the PLC, improving bandwidth in the system

PROFINET encompasses a suite of messages and services for a variety of manufacturing automation applications.

## POWERLINK

POWERLINK represents the second generation of fieldbus. The high bit rate of industrial Ethernet can now be used to make the full power of IT technologies used in the automation world available for the factory world. POWERLINK does not only provide high performance real-time and time synchronisation features. Due to its CANopen-based communication models, network management and device description model offers much more than just a fast communication network.

### POWERLINK provides:

- Built-in high performance switch enabling line-topology, and eliminating the need for external switches
- Perfect solution for material handling applications

## EtherNet/IP™

Ethernet is the future standard for communication at the factory floor. EtherNet/IP™ is based on the newest technology available for industrial use and handles even the most demanding requirements. EtherNet/IP™ extends commercial off-the-shelf Ethernet to the Common Industrial Protocol (CIP™) – the same upper-layer protocol and object model found in DeviceNet.

### Advanced features:

- Built-in high performance switch enabling line-topology, and eliminating the need for external switches
- Advanced switch and diagnosis functions
- Unicast and Multicast communication

## EtherCAT

The EtherCAT offers connectivity to EtherCAT®-based networks via the EtherCAT Protocol. The option handles the EtherCAT line communication in full speed. This allows to participate in networks ranging from low performance up to servo applications.

- EoE Ethernet over EtherCAT support
- CoE (CAN Over Ethernet) for access to drive parameters
- TCP/IP for easy access to drive configuration data from MCT 10

## PROFIBUS DP

Operating the AC drive via a fieldbus enables you to reduce the cost of your system, communicate faster and more efficiently, and benefit from an easier user interface.

### PROFIBUS DP provides:

- Wide compatibility, a high level of availability, support for major PLC vendors, and compatibility with future versions
- Fast, efficient communication, transparent installation, advanced diagnosis and parameterization and auto-configuration of process data via GSD-file
- Acyclic parameterization using PROFIBUS DP-V1, PROFIdrive or Danfoss FC profile state machines, PROFIBUS DP-V1, Master Class 1 and 2

## CANopen

High flexibility and low cost are two of the “cornerstones” for CANopen. The CANopen variant is fully equipped with both high priority access to control and status of the AC drive (PDO Communication) and access to all parameters through acyclic data (SDO Communication).

For interoperability the option has implemented the DSP402 AC drive profile.

This all guarantees standardized handling, interoperability and low cost.

## Modbus RTU

The Modbus RTU protocol is based on the integrated RS485 (EIA-485) interface on the control card.

RS485 is a two-wire bus-interface that allows multi-drop network topology. Danfoss uses the two-wire system where the communication between master and slave is half-duplex, meaning it cannot transmit and receive at the same time.

### According to the EIA-485 specification:

- A total of 32 nodes can be connected to one Modbus RTU network segment
- A total of 247 nodes in a network are supported
- Network segments are divided with repeaters



## Accessories

### Functional extension: Functional safety over fieldbus

The functional safety software variant (SFS1 in typecode) enables activation of Safe Torque Off (STO) and Safe Stop 1 (SS1-t) via the PROFIsafe fieldbus in combination with integrated PROFINET. It improves flexibility by connecting safety devices within a plant. The safety functions are implemented according to EN IEC 61800-5-2.

The functional safety option supports PROFIsafe functionality to activate integrated safety functions of the VLT® Midi Drive FC 280 from any PROFIsafe host, up to Safety Integrity Level SIL 3 according to EN IEC 61508/62061, Performance Level PL<sub>e</sub>, Category 3 according to EN ISO 13849-1.

#### Features:

- PROFIsafe device
- Reduces external safety equipment required
- Dynamic commissioning report

#### LCP

VLT® Control Panel LCP 21 (Numeric)

**Ordering number:** 132B0254

VLT® Control Panel LCP Blind Cover

**Ordering number:** 132B0262

VLT® Control Panel LCP 102 (Graphical)

Hand-held or door mount only

**Ordering number:** 130B1107

LCP Panel Mounting Kit

**Ordering number for IP20 enclosure**

130B1117: (Graphical) with fasteners, gasket and without LCP and with 3 m cable

132B0102: (Numeric) with fasteners, gasket and without LCP and with 3 m cable

Graphical LCP Adapter

**Ordering number:** 132B0281

#### Power Options\*

VLT® Sine-Wave Filter MCC 101

VLT® dV/dt Filter MCC 102

VLT® Brake Resistors MCE 101

VLT® EMC Filters MCC 107

#### Accessories

IP21/Type 1 conversion kit

**Ordering number:**

132B0335: K1

132B0336: K2

132B0337: K3

132B0338: K4

132B0339: K5

Mounting adapter

**Ordering number:**

132B0363: Adapter Plate, VLT® 2800 size A

132B0364: Adapter Plate, VLT® 2800 size B

132B0365: Adapter Plate, VLT® 2800 size C

132B0366: Adapter Plate, VLT® 2800 size D

VLT® Memory Module MCM 102

**Ordering number:** 132B0359

VLT® Memory Module MCM 103 with integrated VLT® 2800 PROFIBUS converter

**Ordering number:** 132B0466

VLT® 24 V DC Supply MCB 106

**Ordering number:** 132B0368

\*Ordering number: See relevant Design Guide



# A better tomorrow is **driven by drives**

**Danfoss Drives is a world leader in variable speed control of electric motors.**

We offer you unparalleled competitive edge through quality, application-optimized products and a comprehensive range of product lifecycle services.

You can rely on us to share your goals. Striving for the best possible performance in your applications is our focus. We achieve this by providing the innovative products and application know-how required to optimize efficiency, enhance usability, and reduce complexity.

From supplying individual drive components to planning and delivering complete drive systems; our experts are ready to support you all the way.

You will find it easy to do business with us. Online, and locally in more than 50 countries, our experts are never far away, reacting fast when you need them.

You gain the benefit of decades of experience, since 1968. Our low voltage

and medium voltage AC drives are used with all major motor brands and technologies in power sizes from small to large.

**VACON® drives** combine innovation and high durability for the sustainable industries of tomorrow.

For long lifetime, top performance, and full-throttle process throughput, equip your demanding process industries and marine applications with VACON® single or system drives.

- Marine and Offshore
- Oil and Gas
- Metals
- Mining and Minerals
- Pulp and Paper
- Energy

- Elevators and Escalators
- Chemical
- Other heavy-duty industries

**VLT® drives** play a key role in rapid urbanization through an uninterrupted cold chain, fresh food supply, building comfort, clean water and environmental protection.

Outmaneuvering other precision drives, they excel, with remarkable fit, functionality and diverse connectivity.

- Food and Beverage
- Water and Wastewater
- HVAC
- Refrigeration
- Material Handling
- Textile

## **VLT® | VACON®**

Tel. +1 (888) DANFOSS | [www.danfossdrives.com](http://www.danfossdrives.com) | E-mail: [salesinformation@danfoss.com](mailto:salesinformation@danfoss.com)

**Danfoss Drives:** Houston, TX • Loves Park, IL • Milwaukee, WI • Raleigh, NC • Stoney Creek, ON

Any information, including, but not limited to information on selection of product, its application or use, product design, weight, dimensions, capacity or any other technical data in product manuals, catalogues descriptions, advertisements, etc. and whether made available in writing, orally, electronically, online or via download, shall be considered informative, and is only binding if and to the extent, explicit reference is made in a quotation or order confirmation. Danfoss cannot accept any responsibility for possible errors in catalogues, brochures, videos and other material. Danfoss reserves the right to alter its products without notice. This also applies to products ordered but not delivered provided that such alterations can be made without changes to form, fit or function of the product. All trademarks in this material are property of Danfoss A/S or Danfoss group companies. Danfoss and the Danfoss logo are trademarks of Danfoss A/S. All rights reserved.